

W18IP7T-PMA2

18.5" Intel® Pentium® N4200 Panel Mount Panel PC



KEY FEATURES

- Intel® Pentium® N4200 Apollo Lake Processor 1.10 GHz
- Flexible storage devices, one 2.5-inch HDD and one SSD socket
- Multiple I/Os, 2 x Serial Ports, 4 x USB 3.0 Ports
- 12 V DC Power input
- DP Support 4096 x 2160 @ 60 Hz
- HDMI Support 3840 x 2160 @ 30 Hz

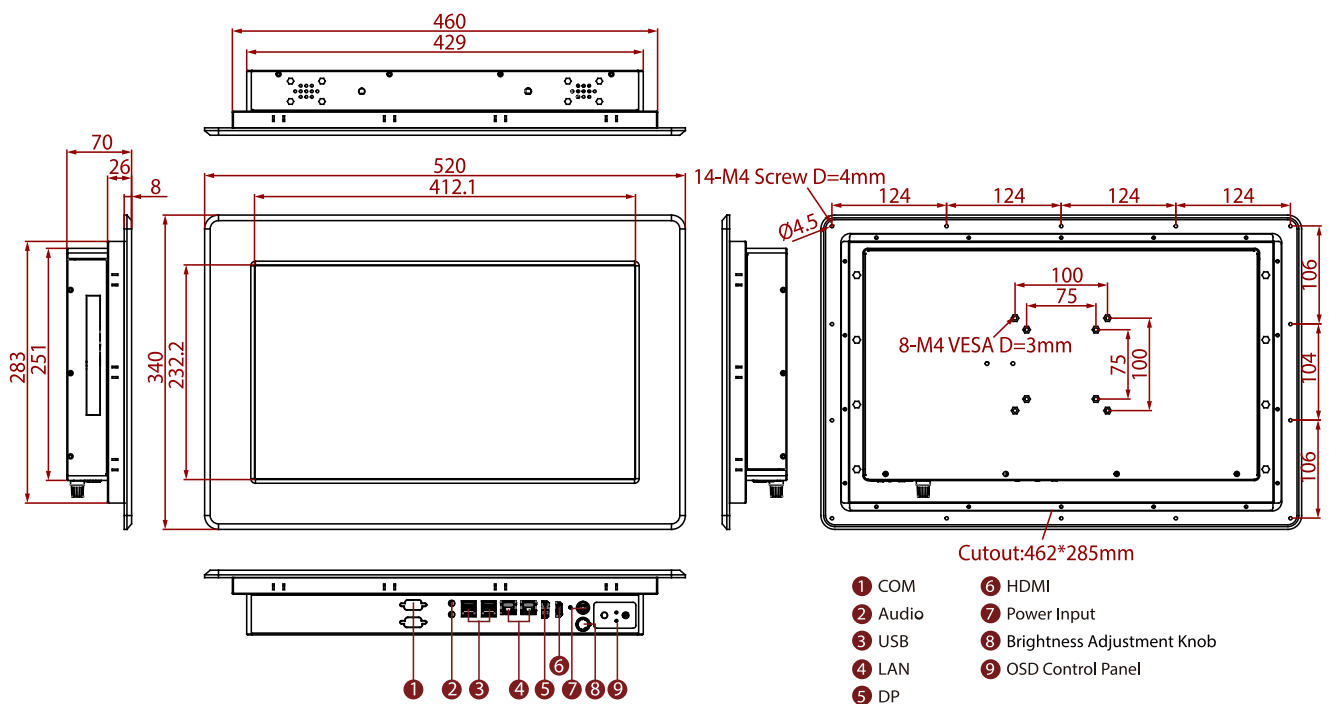


SPECIFICATIONS

Display	
Resolution	1366x768
Contrast Ratio	1000:1
View Angles	85,85,80,80
Touch / Glass	Resistive Touch Screen (Optional) Protection Glass Without Touch Function (Optional)
Size	18.5 inches
Panel Brightness	450.0 nits
Active Area	409.8X230.4 mm
System Specification	
Processor	Intel Pentium N4200 1.1GHz (up to 2.5GHz)
Storage	1 x M.2 2242 SSD 128GB M.2 2242 SSD up to 512GB (Optional)
Security	TPM 2.0
WLAN	Support (Optional)
Memory	2 x SODIMM, DDR3L 1866 MHz, 4GB 8GB (Optional)
Ethernet controller	2 x Intel® Ethernet Controller
Operating System	Windows 10 IoT Enterprise (64 bit) (Optional) Linux Ubuntu 20.04 (Optional)
BT	Support (Optional)
Mechanical	
Dimension	520 x 340 x 70 mm
Enclosure	Metal Housing
Cut out	462 x 285mm
Mounting	Panel mount VESA Mount
Cooling System	Fanless design
Environment	
Operating Humidity	10% to 90% RH, Non-Condensing
Storage Temperature	-10°C to 60°C
Operating Temperature	0°C to 50°C
Certification	
Certification	CE, FCC
IO Ports	
Power Input	1 x 12V DC, Din4 pin connector
Serial Port	1 x RS232/422/485 (Default RS232) 1 x RS232
Audio	1 x Mic in
USB Port	4 x USB3.2 Gen1x1 (Type-A)
Video	1 x DP1.2 1 x HDMI 1.4 (Optional) 1 x VGA (Optional)
Expansion Port	2 x M.2 slot(1 for WiFi, 1 for SSD)

	1 x Line out 2 x Speaker		1 x PCIe 2.0 x1 (Optional)
LAN	2 x Giga LAN RJ45 Connector	Indicator	1 x LED Indicator for power 1 x LED Indicator for storage
Brightness Knob	1 x Brightness Adjustment Knob		
Control			
Button	1 x Power Button 1 x Reset Button		
Accessory			
Accessory	100~240V AC to DC Adapter Power Cord VESA screws Mounting clips		
Power			
Power Rating	12V DC	Adapter	12V 84W

DIMENSIONS UNIT:MM



NOTE

1. This is a simplified drawing and some components are not marked in detail.
2. Please contact our sales representative if you need further product information.
3. All specifications are subject to change without prior notice.
4. The product shown in this datasheet is a standard model. For diagrams that contain customized or optional I/O, please contact the Winmate Sales Team for more information.