

W22IB3S-SPA3-B

21.5" Intel® Celeron® N2930 IP65 Stainless B Series Panel PC



KEY FEATURES

- Intel® Celeron® N2930 (2M Cache, up to 2.16 GHz)
- Fanless cooling system
- SUS 316/ AISI 316 stainless steel for food and chemical industries
- Full IP65 waterproof enclosure
- A true flat, easy-to-clean front surface with edge-to-edge design
- Supports VESA mount
- Rotary switch adjust different touch mode for Hand/ Rain/ Glove application
- Emergency and Flat buttons for automation device control
- Optical bonding (optional)



SPECIFICATIONS

Display			
Resolution	1920x1080	Size	21.5 inches
Contrast Ratio	3000:1	Panel Brightness	250 nits
View Angles	89,89,89,89	Active Area	476.64x268.11 mm
Touch / Glass	Projected Capacitive Multi Touch Screen		
System Specification			
Processor	Intel Celeron N2930 1.83GHz (up to 2.16GHz)	Memory	1 x SO-DIMM, DDR3L 1600 MHz, 4GB 8GB (Optional)
Storage	1 x mSATA SSD 128GB. mSATA SSD up to 512GB. (Optional)	Ethernet controller	2 x Intel® Ethernet Controller
Operating System	Windows 10 IoT Enterprise (64 bit) (Optional) Linux Ubuntu 20.04 (Optional)	WLAN	Support (Optional)
BT	Support (Optional)		
Mechanical			
Dimension	595 x 337 x 69 mm	Mounting	VESA Mount
Enclosure	Stainless Housing	Cooling System	Fanless design
Environment			
Operating Humidity	10% to 90% RH, Non-Condensing	Operating Temperature	0°C to 45°C
Storage Temperature	-20°C to 60°C	IP rating	IP65
Certification			
Certification	CE, FCC		
IO Ports			
Power Input	1 x M12 waterproof connector for 12V DC	USB Port	1 x M12 waterproof connector for 2 x USB2.0 1 x Front waterproof connector for USB2.0 type-A
Serial Port	1 x M12 waterproof connector for RS232	Expansion Port	CN1 and CN2 for front button control
LAN	1 x waterproof Giga LAN RJ45 connector	Indicator	1 x LED Indicator for power 1 x LED Indicator for storage
Control			

Button	Rear side: 1 x Power Button 1 x Reset Button Front side: 1 x Emergency Button & 3 x Flat Button for CN1 & CN2 M12 connector 1 x Rotary Switch for touch mode
---------------	---

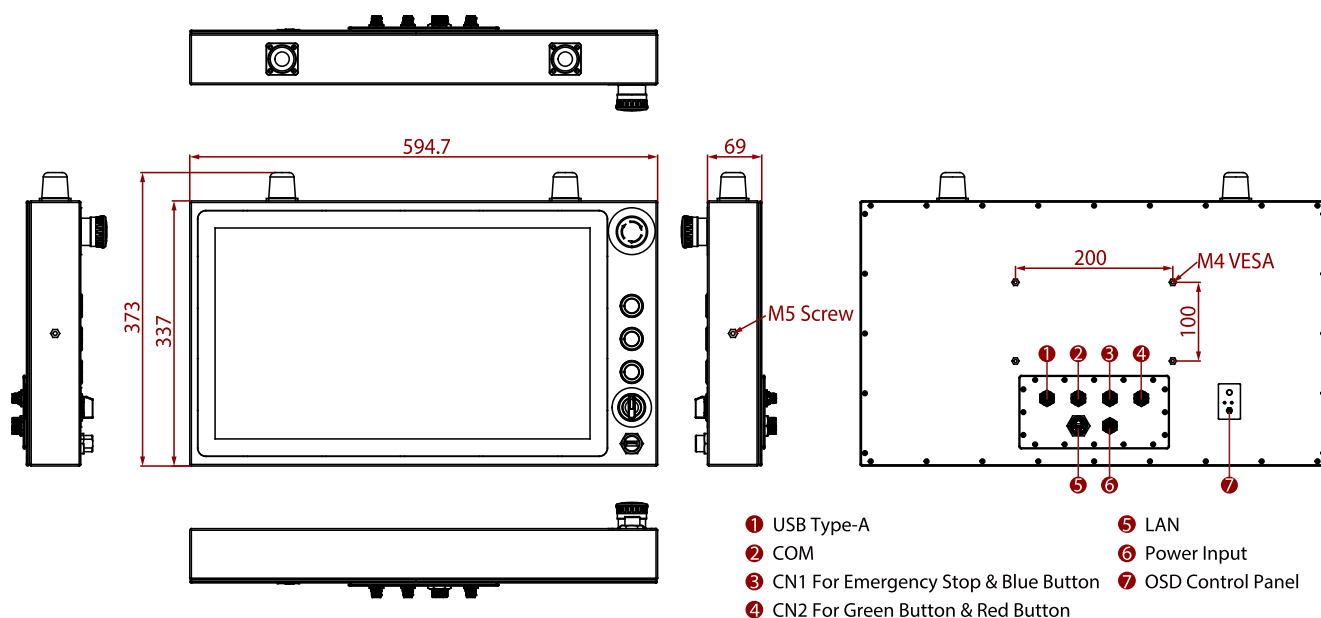
Accessory

Accessory	100~240V AC to DC Adapter with waterproof connector Power Cord External USB cable with waterproof connector External COM cable with waterproof connector External LAN cable with waterproof connector External cables for CN1 & CN2 with waterproof connector Waterproof caps RJ45 female-female converter VESA screws	Optional Accessory 1 x Open wire cable for M12 connector
------------------	--	---

Power

Power Rating	M12 Type: 12V DC 9~36V DC (Optional)
---------------------	---

DIMENSIONS UNIT:MM



NOTE

1. This is a simplified drawing and some components are not marked in detail.
2. The product shown in this datasheet is a standard model. For diagrams that contain customized or optional I/O, please contact the Winmate Sales Team for more information.
3. All specifications are subject to change without prior notice.