

# W24L100-MLL1FP

## 23.8" 4K2K UHD Defence Display



### KEY FEATURES

- 23.8" 4K2K UHD PCAP Rack Mount Defence Display (3840 x 2160) native resolution
- Compliant MIL-STD 810G/ MIL-STD 461E
- Rack mount mechanical design, supports VESA mount
- PCAP multi-touch screen
- Defence-grade power connector (MIL-DTL-38999/1)
- AC 100~240V, Universal,  $\pm 10\%$ ; DC 9~36V,  $\pm 10\%$  (Optional)
- Convenient on-screen display controls



### SPECIFICATIONS

Display			
<b>Touch / Glass</b>	Projected Capacitive Multi Touch Screen PCAP with With ITO Flim (Optional)	<b>Resolution</b>	3840x2160
<b>Size</b>	23.8 inches	<b>Contrast Ratio</b>	1200:1
<b>Panel Brightness</b>	540 nits	<b>Display Color</b>	1.07B Colors
<b>View Angles</b>	89,89,89,89	<b>Active Area</b>	525.65x295.70 mm
Environment			
<b>Operating Humidity</b>	10% to 95% RH	<b>Operating Temperature</b>	0~50°C
<b>Storage Temperature</b>	-25°C~60°C		
Compliance			
<b>MIL-STD 461E/F</b>	RE101 / RE102 CE101 / CE102 with EMI Glass / Touch(Optional) RS101 / RS 103 CS101 / CS 106 / CS 109 / CS 114 / CS 115 / CS 116	<b>MIL-STD 810F/G</b>	Vibration Method 514.5 Humidity Method 507.4 Transit Drop Method516.5
Certification			
<b>Certification</b>	CE, FCC		
IO Ports			
<b>USB Port</b>	1 x USB for Touch Screen (Optional)	<b>Serial Port</b>	1 x RS232 for Remote Control (Optional)
<b>Video</b>	1 x VGA 1 x DVI 1 x Display Port 1.2 1 x HDMI 1.4 (Optional) 1 x HDMI 2.0 (Optional)	<b>Audio</b>	1 x Audio Line In (Optional)
Mechanical			
<b>Dimension</b>	630 x 430.5 x 66 mm	<b>Weight</b>	13Kg
<b>Mounting</b>	VESA Mount/ Rack Mount	<b>Enclosure</b>	Metal
<b>Cooling System</b>	Fanless Design		
Accessory			
<b>Accessory</b>	1 x User Manual(Hardcopy)	<b>Optional Accessory</b>	1 x Auido cable

- 1 x Power Cord MILDTL38999/1
- 1 x VGA Cable
- 1 x DVI Cable
- 2 x HDMI Cable
- 1 x DP Cable

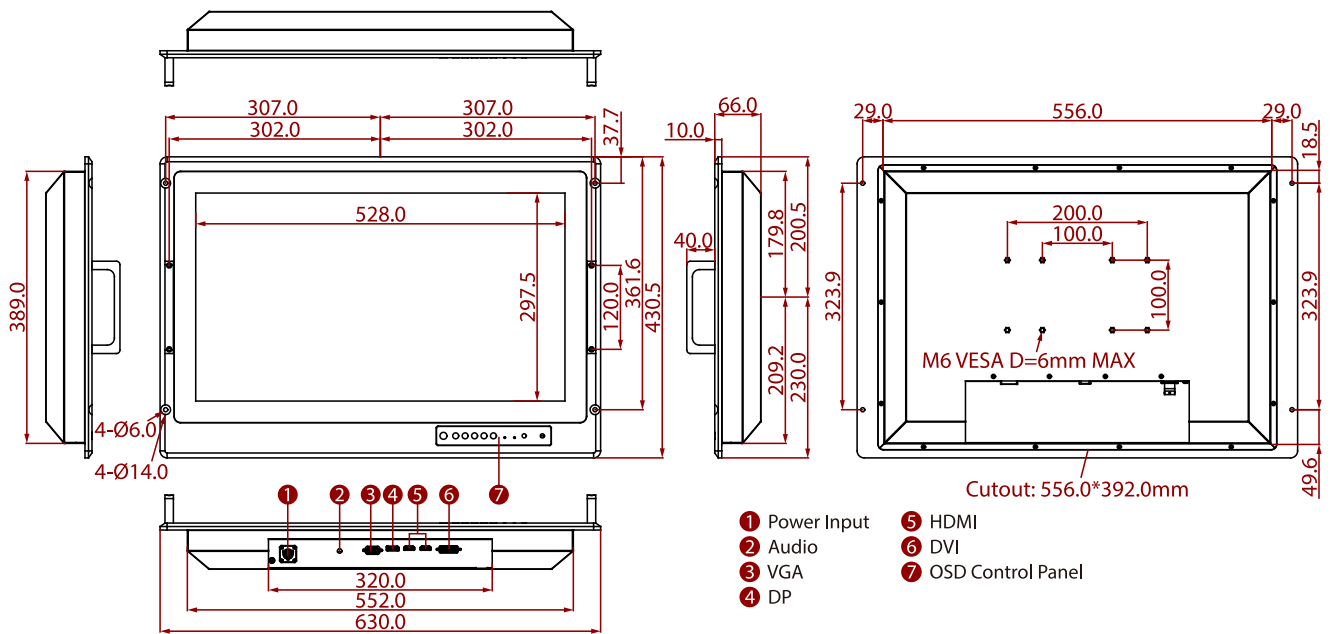
**Power**

<b>Power Rating</b>	AC 100~240V, Universal, ±10% DC 9~36V, ±10% (Optional)
---------------------	---

**Control**

<b>Button</b>	7 key: Power Decrease Increase Exit/ Auto Menu Day/ Night Lock/ Unlock
---------------	---

**DIMENSIONS** UNIT:MM



**NOTE**

1. This is a simplified drawing and some components are not marked in detail.
2. If you require an external test report, Winmate will charge an NRE fee.
3. Please contact our sales representative if you need further product information.
4. All specifications are subject to change without prior notice.
5. The product shown in this datasheet is a standard model. For diagrams that contain customized or optional I/O, please contact the Winmate Sales Team for more information.