

W24L100-PMA2

23.8" Panel Mount Display



KEY FEATURES

- 23.8", 1920 x 1080 Panel Mount Display
- VGA and HDMI input
- Panel mount
- VESA mount



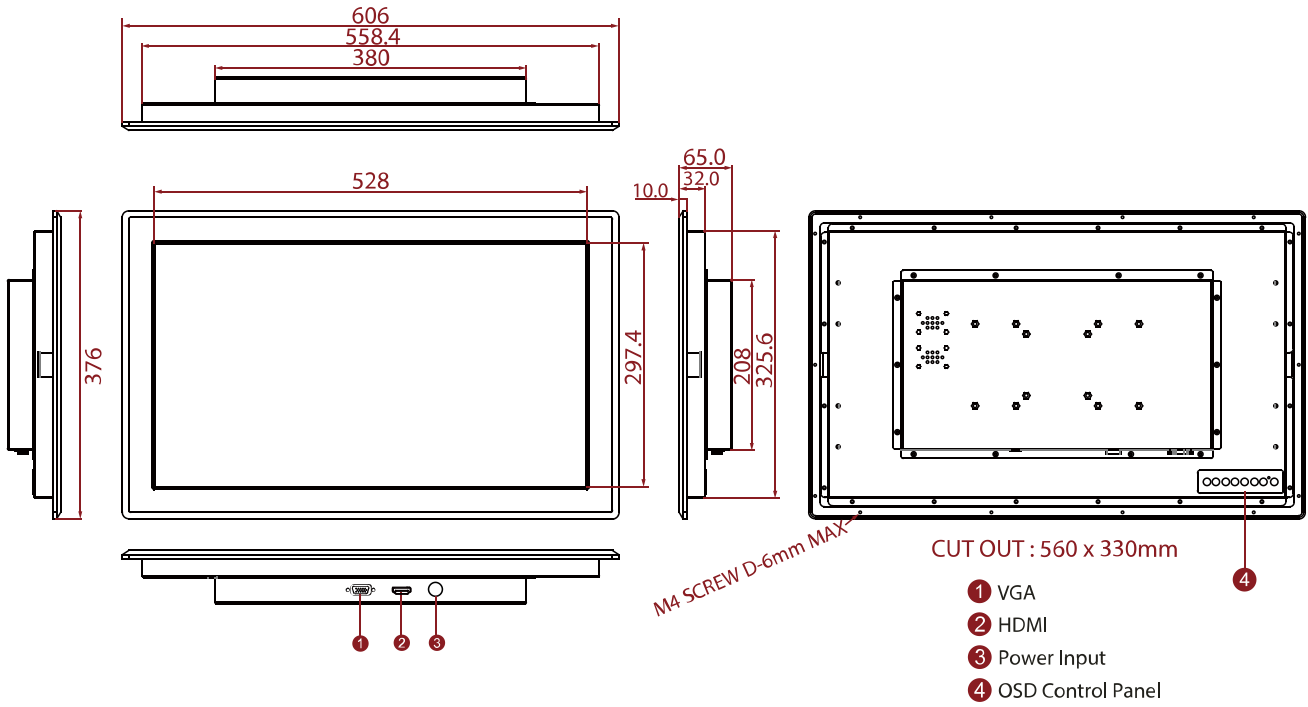
SPECIFICATIONS

Display	
Resolution	1920x1080
Contrast Ratio	3000:1
Display Color	16.7M Colors
Active Area	527.04x296.46 mm
Size	23.8 inches
Panel Brightness	250 nits
View Angles	89,89,89,89
Touch / Glass	Resistive Touch Screen Protection Glass w/o Touch Function (Optional) SAW Touch (Surface Acoustic Wave) (Optional)
Environment	
Operating Humidity	10% to 90% (non-condensing)
Storage Temperature	-10~60°C
Operating Temperature	0~50°C
Certification	
Certification	CE, FCC
IO Ports	
USB Port	1 x USB for Touch Screen
Video	1 x VGA 1 x HDMI (Optional) 1 x DVI (Optional)
Audio	Audio line in (3.5mm) (Optional) 2 x Speaker (Optional)
Mechanical	
Dimension	606 x 376 x 65 mm
Enclosure	Metal Housing with Aluminum Bezel
Mounting	VESA Mount/ Panel Mount
Cut out	560 x 330mm
Cooling System	Fanless Design
Accessory	
Accessory	1 x VGA cable 1 x HDMI cable 100~240V AC to DC Adapter Power Cord Manual VESA screws(Varies by product)
Optional Accessory	Remote Controller (Optional,Varies by product)
Power	
Power Rating	12V DC input

Control

Button 5 Keys: -, +, Power, Esc, Enter

DIMENSIONS UNIT:MM



NOTE

1. This is a simplified drawing and some components are not marked in detail.
2. Please contact our sales representative if you need further product information.
3. All specifications are subject to change without prior notice.
4. The product shown in this datasheet is a standard model. For diagrams that contain customized or optional I/O, please contact the Winmate Sales Team for more information.