

# W32IT3S-PTA3

## 32" Intel® Core™ i5-1135G7 Standalone Panel PC HMI



### KEY FEATURES

- 32" 1920 x 1080 with PCAP touchscreen
- High computing performance with 11th Generation Intel® Core™ i5-1135G7 2.4GHz (Optional Core i5-1145G7 2.6GHz)
- Fanless cooling system and ultra-low power consumption
- Front IP65 for protection against water and dust
- A true flat, easy-to-clean front surface with edge-to-edge design
- Plenty of I/O, including 2 x LAN, 1 x COM, 2 x USB 3.0, 1 x HDMI

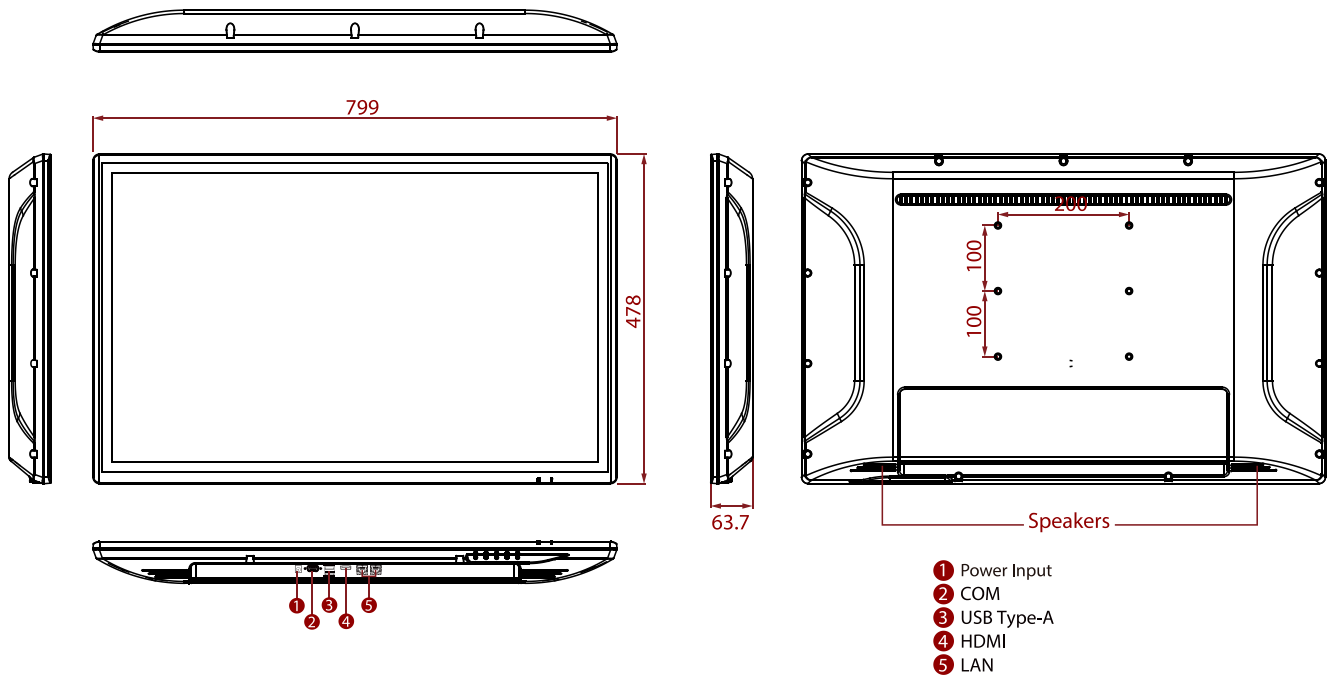


### SPECIFICATIONS

Display			
<b>Resolution</b>	1920x1080	<b>Size</b>	32.0 inches
<b>Contrast Ratio</b>	4000:1	<b>Panel Brightness</b>	400.0 nits
<b>View Angles</b>	89,89,89,89	<b>Active Area</b>	698.4x392.85 mm
<b>Touch / Glass</b>	Projected Capacitive Multi Touch Screen		
System Specification			
<b>WLAN</b>	Support (Optional)	<b>BT</b>	Support (Optional)
<b>Processor</b>	Intel Core i5-1135G7 2.4GHz (up to 4.2GHz)	<b>Memory</b>	1 x SO-DIMM, DDR4 3200 MHz, 4GB 8GB (Optional) 16GB (Optional) 32GB (Optional)
<b>Storage</b>	1 x M.2 M-Key 2242 SATA SSD or 1 x M.2 M-Key 2280 NVMe SSD 128GB 256GB (Optional) 512GB (Optional) 1TB(for NVMe) (Optional) 2TB(for NVMe) (Optional) 4TB(for NVMe) (Optional) 1 x SATA III , up to 2TB (Optional)	<b>Ethernet controller</b>	2 x Intel® Ethernet Controller
<b>Security</b>	TPM 2.0	<b>Operating System</b>	Windows 11 IoT Enterprise SAC (64 bit) (Optional) Windows 11 Pro 64 bit (Optional) Windows 10 IoT Enterprise (64 bit) (Optional) Linux Ubuntu 22.04 (Optional)
Environment			
<b>Operating Humidity</b>	10% to 90% RH, Non-Condensing	<b>Operating Temperature</b>	0°C to 50°C
<b>Storage Temperature</b>	-10°C to 60°C	<b>IP rating</b>	Front IP65
Certification			
<b>Certification</b>	CE, FCC		
Mechanical			
<b>Dimension</b>	799 x 478 x 63.7 mm	<b>Mounting</b>	VESA Mount
<b>Enclosure</b>	Plastic	<b>Cooling System</b>	Fan Design
IO Ports			

<b>USB Port</b>	2 x USB 3.0	<b>Serial Port</b>	1 x RS232(Default)/422/485
<b>Video</b>	1 x HDMI (Optional)	<b>Audio</b>	2 x Speaker
<b>LAN</b>	2 x RJ45-10/100/1000 Mbps		
<b>Accessory</b>			
<b>Accessory</b>	Quick Start Guide(Hardcopy) AC Adapter 12V/120W Power Cord		
<b>Power</b>			
<b>Power Rating</b>	12V DC		
<b>Control</b>			
<b>Button</b>	5 key: Power Up Down Left Right		

## DIMENSIONS UNIT:MM



## NOTE

1. This is a simplified drawing and some components are not marked in detail.
2. Please contact our sales representative if you need further product information.
3. All specifications are subject to change without prior notice.
4. The product shown in this datasheet is a standard model. For diagrams that contain customized or optional I/O, please contact the Winmate Sales Team for more information.