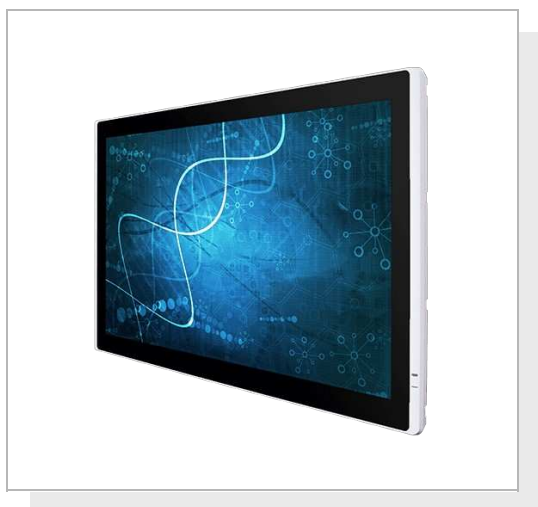


W32L100-PTA1

32" Multi-Touch Color Surgical Display



KEY FEATURES

- 32" Multi-Touch Color Surgical Display (3840 x 2160) native resolution
- Projected Capacitive Touch
- Bottom side keys x 5
- Fanless and Ventless design, Easy-to-Clean, Multi-Touch Color Surgical Display
- Support VGA , DVI , HDMI , DP variety signal input
- Support IR Remote controller
- Housing with antimicrobial properties
- Front IP65

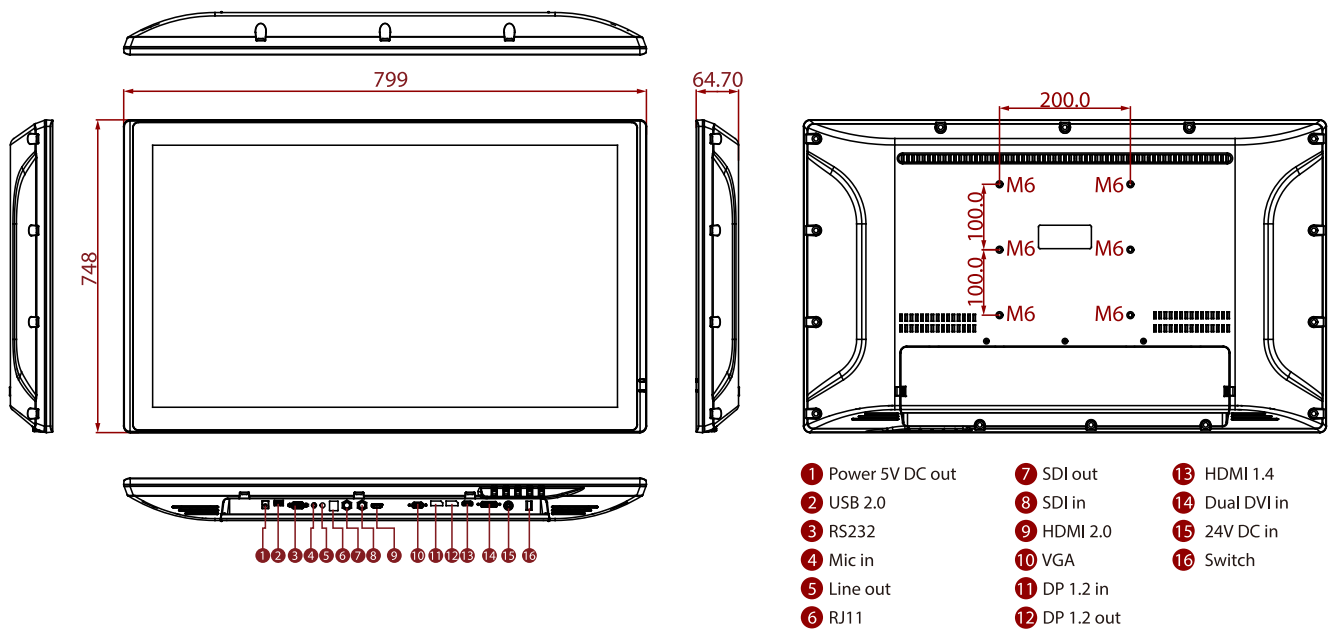


SPECIFICATIONS

Display			
Resolution	3840x2160	Size	32.0 inches
Contrast Ratio	1000:1	Panel Brightness	350.0 nits
Display Color	1.07B Colors	View Angles	89,89,89,89
Active Area	708.48x398.52 mm	Touch / Glass	Projected Capacitive Multi Touch Screen
Environment			
Operating Humidity	10% to 90% RH, Non-Condensing	Operating Temperature	0°C to 35°C
Storage Temperature	-20°C to 60°C		
Certification			
Certification	IEC 60601-1:2005 + A1:2012 (Ed. 3.1) IEC 60601-1-6:2010 + A1:2013 (Ed. 3.1) IEC 62366:2007 + A1:2014 (Ed. 1.1) ANSI/AAMI ES60601-1:2005/A1:2012 and C1:2009/(R)2012 and A2:2010/(R)2012 CAN/CSA-C22.2 No.60601-1:14 EN 60601-1-2:2015, IEC 60601-1-2:2014 (Ed. 4.0) EN 55032/EN 55024, FCC part 15B EN 62368-1:2014 RoHS-2, REACH, WEEE compliant		
IO Ports			
USB Port	1 x USB 2.0	Serial Port	1 x RS-232
Video	1 x Dual DVI In 1 x DP 1.2 Out 1 x DP 1.2 In 1 x VGA In 1 x SDI in 1 x SDI out 1 x HDMI 1.4 (Optional) 1 x HDMI 2.0 (Optional)	Audio	1 x Mic In 1 x Line Out 2 x Speaker
GPIO	1 x RJ-11		
Mechanical			
Dimension	799 x 478 x 63.7 mm	Weight	18.5 kg

Mounting	VESA Mount	Enclosure	Plastic
Cooling System	Fanless Design		
Accessory			
Accessory	Remote Control User Manual VESA Mounting Screws 24 Volt Power Supply Power Cable VGA Cable DVI Cable SDI Cable DC Jack to Open Wire Cable RS232 Cable	Optional Accessory	USB Cable for Touch (Optional)
Power			
Power Rating	24V DC in		
Control			
Button	5 Keys: -, +, Power, Esc, Enter		

DIMENSIONS UNIT:MM



NOTE

1. This is a simplified drawing and some components are not marked in detail.
2. Please contact our sales representative if you need further product information.
3. All specifications are subject to change without prior notice.
4. The product shown in this datasheet is a standard model. For diagrams that contain customized or optional I/O, please contact the Winmate Sales Team for more information.