

# W32L100-PTA1-4K

## 32" Multi-Touch Chassis Display



### KEY FEATURES

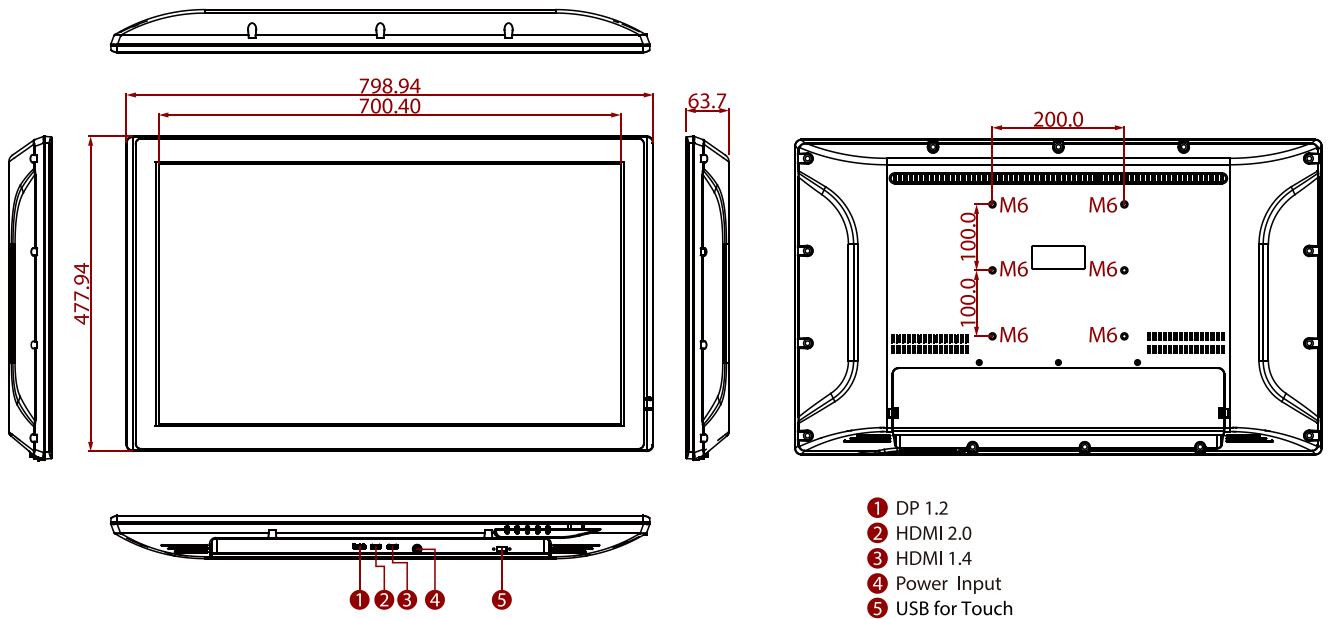
- 32" 3840 x 2160 with P-CAP touchscreen, Multi-Touch Chassis Display
- Bottom side keys x 5
- Fanless and Ventless design, Easy-to-Clean
- Support DP, HDMI signal input
- Front IP65



### SPECIFICATIONS

| Display             |   |                       |  |
|---------------------|---|-----------------------|--|
| Resolution          | 3840x2160   | Size                  | 32 inches  |
| Contrast Ratio      | 1000:1  | Panel Brightness      | 350 nits   |
| Display Color       | 1.07B Colors  | View Angles           | 89,89,89,89  |
| Active Area         | 708.48 x 398.52 mm  | Touch / Glass         | Projected Capacitive Multi Touch Screen                          |
| Environment         |   |                       |  |
| Operating Humidity  | 10% to 90% (non-condensing)   | Operating Temperature | 0~50°C   |
| Storage Temperature | -10~60°C  | IP rating             | Front IP65   |
| Certification       |   |                       |  |
| Certification       | CE, FCC   |                       |  |
| IO Ports            |   |                       |  |
| USB Port            | 1 x USB for Touch Screen  | Video                 | 1 x DP 1.2<br>1 x HDMI 1.4 (Optional)<br>1 x HDMI 2.0 (Optional) |
| Audio               | 2 x Speaker   |                       |  |
| Mechanical          |   |                       |  |
| Dimension           | 799 x 478 x 63.7 mm   | Weight                | 13.4 kg  |
| Mounting            | VESA Mount  | Enclosure             | Plastic  |
| Cooling System      | Fanless Design  |                       |  |
| Accessory           |   |                       |  |
| Accessory           | 1 x DP cable<br>2 x HDMI cable<br>100~240V AC to DC Adapter<br>Power Cord<br>Manual<br>VESA screws(Varies by product) | Optional Accessory    | Remote Controller (Optional,Varies by product)                   |
| Power               |   |                       |  |
| Power Rating        | 12V DC input  |                       |  |
| Control             |   |                       |  |
| Button              | 5 Keys: -, +, Power, Esc, Enter   |                       |  |

## DIMENSIONS UNIT:MM



## NOTE

1. This is a simplified drawing and some components are not marked in detail.
2. Please contact our sales representative if you need further product information.
3. All specifications are subject to change without prior notice.
4. The product shown in this datasheet is a standard model. For diagrams that contain customized or optional I/O, please contact the Winmate Sales Team for more information.