

# W32L100-SDA3

## 32" SDI Chassis Display



### KEY FEATURES

- 32", 1920 x 1080, SDI Chassis Display
- 3G-SDI in, 3G-SDI out, HDMI, VGA, two CVBS (BNC)
- Chassis
- VESA mount



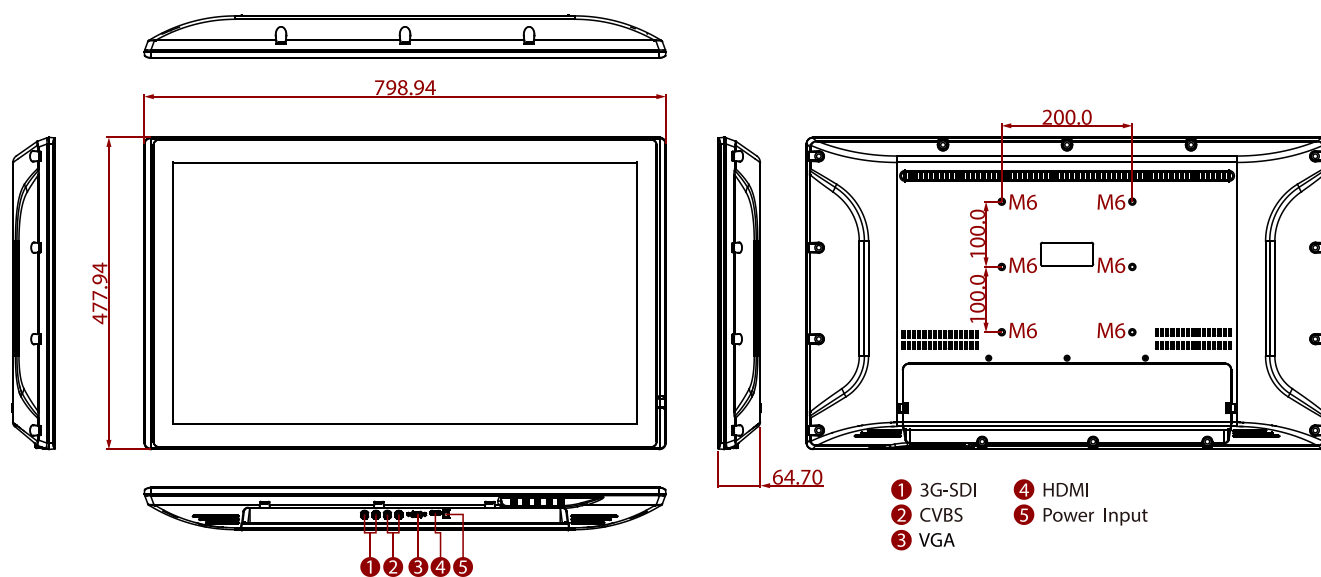
### SPECIFICATIONS

Display	
Resolution	1920x1080
Contrast Ratio	4000:1
Display Color	16.7M Colors
Active Area	698.4x392.85 mm
Size	32.0 inches
Panel Brightness	400.0 nits
View Angles	89,89,89,89
Touch / Glass	Projected Capacitive Multi Touch Screen
Environment	
Operating Humidity	10% to 90% RH, Non-Condensing
Storage Temperature	-10°C to 60°C
Operating Temperature	0°C to 50°C
Certification	
Certification	CE, FCC
IO Ports	
USB Port	1 x USB for Touch Screen
Audio	2 x Speaker (Optional)
Video	1 x VGA In 2 x CVBS 1 x SDI in 1 x SDI out 1 x HDMI (Optional)
Mechanical	
Dimension	798.94 x 477.94 x 64.7 mm
Mounting	VESA Mount
Cooling System	Fanless Design
Accessory	
Accessory	User Manual(Hardcopy) 110~240V AC Power Adapter Power Cord VGA Cable HDMI Cable SDI Cable CVBS cable
Power	
Power Rating	12V DC in 24V DC in (optional)

**Control**

**Button** 5 Keys: -, +, Power, Esc, Enter

**DIMENSIONS** UNIT:MM



**NOTE**

- 1. This is a simplified drawing and some components are not marked in detail.
- 2. The product shown in this datasheet is a standard model. For diagrams that contain customized or optional I/O, please contact the Winmate Sales Team for more information.
- 3. All specifications are subject to change without prior notice.