

W32L300-CHA3

32" Chassis Display



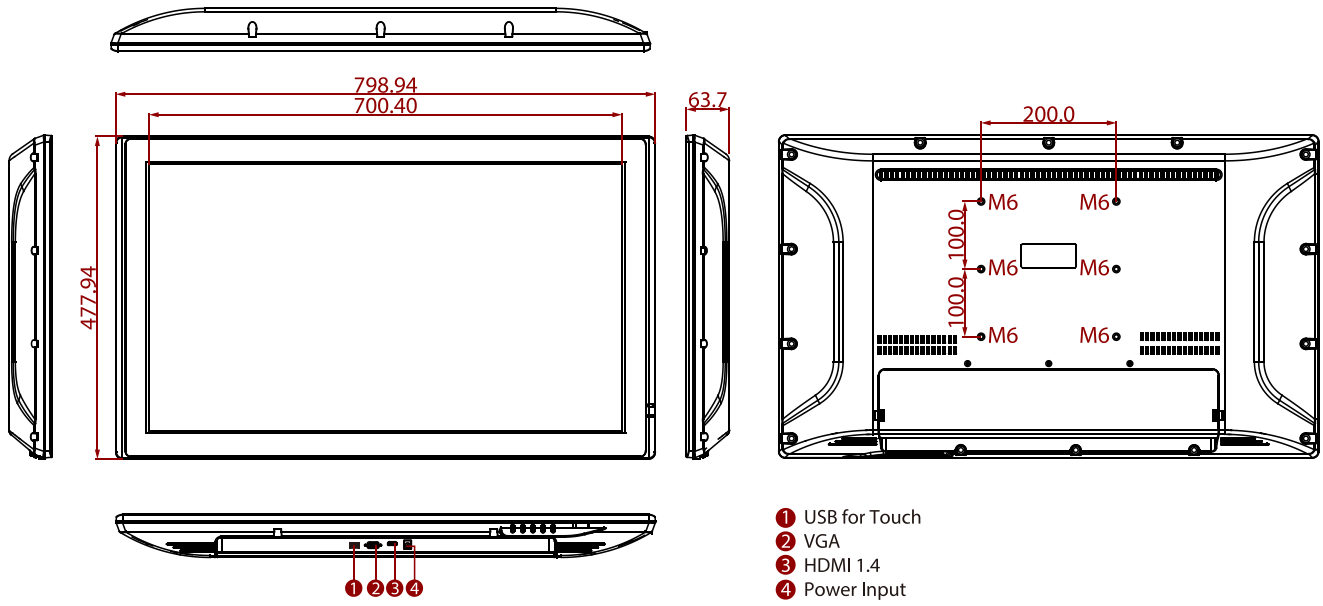
KEY FEATURES

- 32" 1920 x 1080 with P-CAP touchscreen, Multi-Touch Chassis Display
- Bottom side keys x 5
- Fanless and Ventless design, Easy-to-Clean
- Support VGA, HDMI (Optional) signal input
- Front IP65



SPECIFICATIONS

Display			
Resolution	1920x1080	Size	32 inches
Contrast Ratio	4000:1	Panel Brightness	400 nits
Display Color	16.7M Colors	View Angles	89,89,89,89
Active Area	698.4 x 392.85 mm	Touch / Glass	Projected Capacitive Multi Touch Screen
Environment			
Operating Humidity	10% to 90% (non-condensing)	Operating Temperature	0~50°C
Storage Temperature	-10~60°C		
Certification			
Certification	CE, FCC		
IO Ports			
USB Port	1 x USB for Touch Screen	Video	1 x VGA 1 x HDMI 1.4 (Optional) 1 x DVI (Optional)
Audio	2 x Speaker		
Mechanical			
Dimension	799 x 478 x 63.7 mm	Mounting	VESA Mount
Enclosure	Plastic	Cooling System	Fanless Design
Accessory			
Accessory	1 x VGA cable 1 x HDMI cable 100~240V AC to DC Adapter Power Cord Manual VESA screws(Varies by product)	Optional Accessory	Remote Controller (Optional,Varies by product)
Power			
Power Rating	12V DC input		
Control			
Button	5 Keys: -, +, Power, Esc, Enter		



NOTE

1. This is a simplified drawing and some components are not marked in detail.
2. Please contact our sales representative if you need further product information.
3. All specifications are subject to change without prior notice.
4. The product shown in this datasheet is a standard model. For diagrams that contain customized or optional I/O, please contact the Winmate Sales Team for more information.