

IP32S

x86 SBC, Intel® Pentium® N4200 Single Board Computer



KEY FEATURES

- x86 SBC, 3.5" Form Factor (146mm x 102mm / 5.7 x 4 inches)
- Intel® Pentium® Apollo Lake N4200 Processor , single board computer x86
- System memory DDR3L 1600 / 1866 MHz, SO-DIMM Max 8GB
- Intel® HD Graphics Engine
- 2 x Giga LAN, one with PoE function
- 2 x USB 3.0, 1 x RS232/422/485, 1 x Micro HDMI (Optional)



SPECIFICATIONS

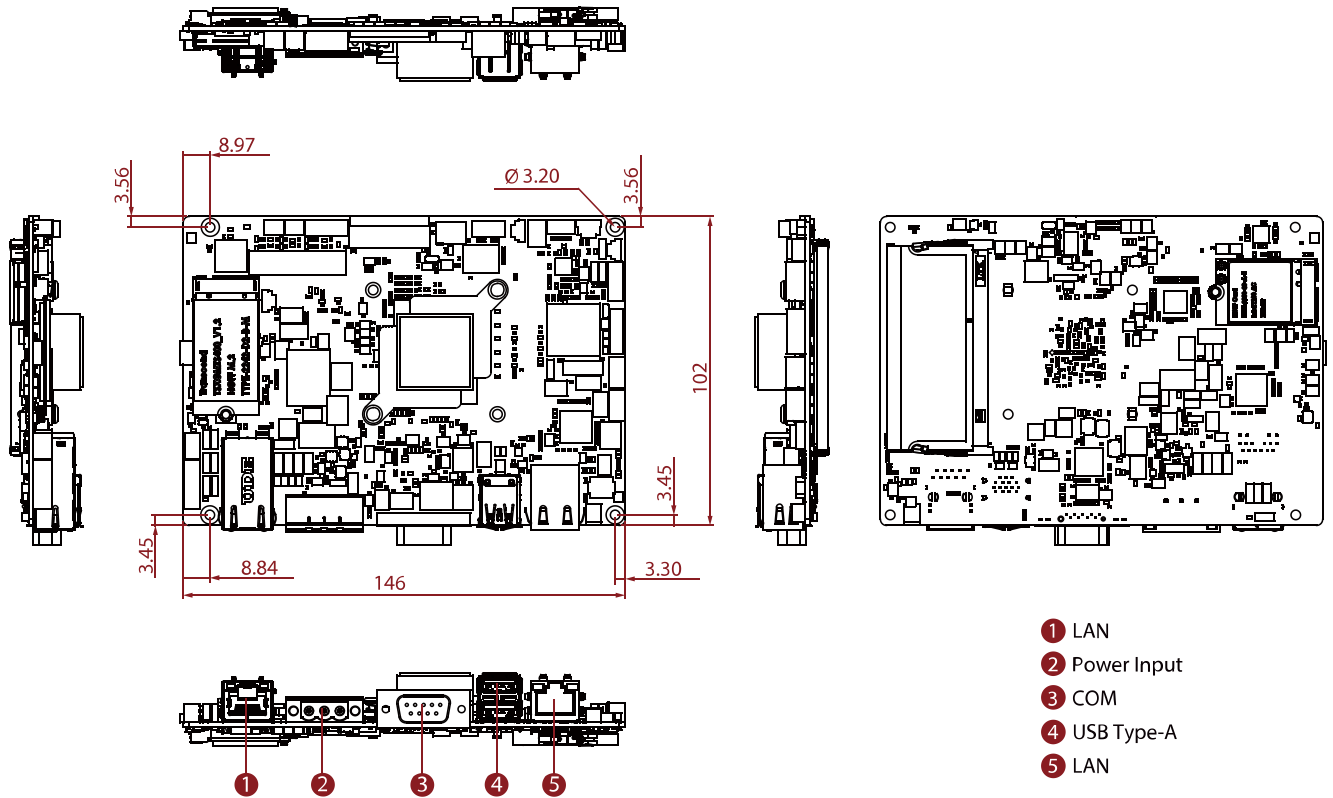
System Specification			
Processor	Intel Pentium N4200 1.1GHz (up to 2.5GHz)	Memory	1 x SO-DIMM, DDR3L 1600 MHz, 4GB 8GB (Optional)
Storage	1 x M.2 B-Key 2242 SSD 128GB M.2 B-Key 2242 SSD up to 512GB (Optional)	Ethernet controller	2 x Intel® Ethernet Controller
Security	TPM 2.0	Operating System	Windows 10 IoT Enterprise (64 bit) (Optional) Linux Ubuntu 20.04 (Optional)
IO Ports			
Power Input	1 x 12V DC, 3-Pin Terminal Block	USB Port	2 x USB3.2 Gen1x1 (Type-A)
Serial Port	1 x RS232/422/485 (Default RS232)	Video	1 x Micro HDMI (Optional)
LAN	2 x Giga LAN RJ45 Connector, one with PoE(PD, 802.3 at)(Optional)		
Internal IO Ports			
Power input	1 x 3pin Terminal Block	Power output	1 x 2pin(1x2) red wafer for 5V DC out
USB	2 x 8pin(2x4) for 4 x USB 2.0 1 x FPC connector(CN8) for touch screen	UART	1 x 6pin(1x6) for UART
Serial port	1 x 10pin(2x5) for RS232	Display	1 x 40pin DF13 connector for LVDS.Co-lay for eDP 1 x 40pin FPC connector Co-lay for LVDS(CON3) (Optional)
Backlight	1 x 7pin(1x7) for panel backlight	SATA	1 x SATA III 1 x 8pin(2x4) for SATA power
DIDO	1 x 14pin(2x7) for Digital input/output	VR	1 x 5pin(1x5) MCU debug port
OSD	1 x 10pin(2x5) for OSD control	Speaker	2 x 2pin(1x2) for Speaker
Backup battery	1 x 2pin(1x2) for RTC battery	Audio	1 x 12pin(2x6) for Line in/Line out/ Mic in
Certification			
Certification	CE, FCC		
Mechanical			
Dimension	146 x 102 mm		
Environment			
Operating Humidity	10% to 95% RH, Non-Condensing	Operating Temperature	0°C to 60°C
Storage	-40°C to 70°C		

Temperature

Power

Power Rating	12V DC	Adapter	12V 50W
PoE	PoE (PD): follows IEEE 802.3at (25 W)		

DIMENSIONS UNIT:MM



NOTE

1. This is a simplified drawing and some components are not marked in detail.
2. Please contact our sales representative if you need further product information.
3. All specifications are subject to change without prior notice.
4. The product shown in this datasheet is a standard model. For diagrams that contain customized or optional I/O, please contact the Winmate Sales Team for more information.