

# W10IW8M-RTD1ML

## 10.1" Intel® Core™ i5-8265U Defence Ultra Rugged Tablet



### KEY FEATURES

- 10.1" 1920 x 1080 LED Panel with direct optical bonding, Defence Ultra Rugged Tablet PC
- 8th Gen. Intel® Core™ i5-8265U, 1.6 GHz (turbo up to 3.90 GHz)
- Adjustable Kickstand that is Convertible to a handle
- Ecological seals protect ports as well as connectors from moisture and dust
- MIL-STD-38999 connector for Giga LAN, RS232/RS422 and Power Input
- With daylight-readable screen 800 nits optical bonding for clarity increasing and readability enhancing

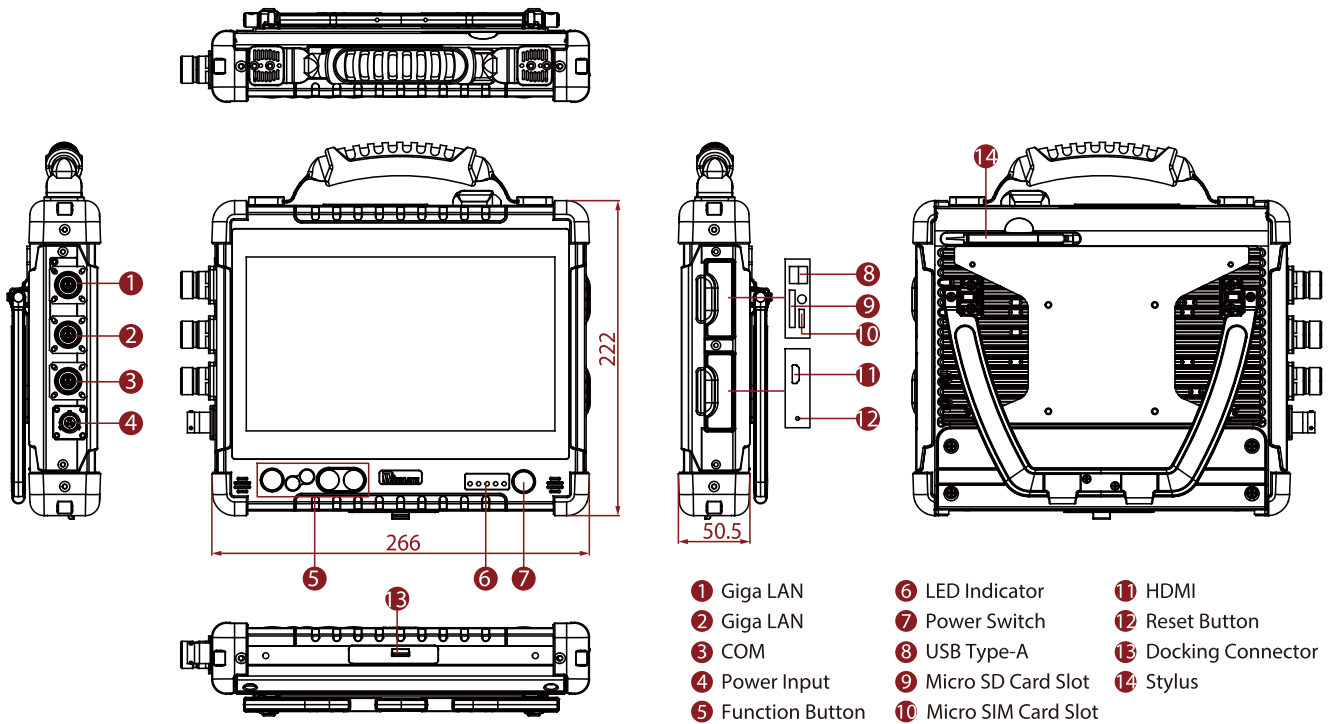


### SPECIFICATIONS

| Display                    |   |                               |   |
|----------------------------|---|-------------------------------|---|
| <b>Touch / Glass</b>       | Projected Capacitive Multi Touch Screen                                   | <b>Resolution</b>             | 1920x1080   |
| <b>Size</b>                | 10.1 inches   | <b>Contrast Ratio</b>         | 800:1   |
| <b>Panel Brightness</b>    | 800 nits  | <b>View Angles</b>            | 85,85,85,85   |
| System Specification       |   |                               |   |
| <b>Processor</b>           | Intel Core i5-8265U 1.6GHz (up to 3.9GHz)                                 | <b>Memory</b>                 | 4GB SODIMM DDR4-2400<br>8GB SODIMM DDR4-2400 (Optional)<br>16GB SODIMM DDR4-2400 (Optional) |
| <b>Storage</b>             | 1 x 128GB M.2 SSD<br>256GB M.2 SSD (Optional)<br>512GB M.2 SSD (Optional) | <b>Security</b>               | TPM 2.0   |
| <b>Operating System</b>    | Windows 10 IoT Enterprise (64 bit)<br>Linux Ubuntu 20.04 (Optional)       | <b>WLAN</b>                   | 802.11 a/b/g/n/ac   |
| <b>BT</b>                  | Support   | <b>WWAN</b>                   | 4G/ LTE or 3G (Optional)  |
| <b>GNSS</b>                | Supports GPS<br>GLONASS, Galileo, BeiDou (Optional)                       |                               |   |
| Mechanical                 |   |                               |   |
| <b>Dimension</b>           | 266 x 222 x 50.5 mm   | <b>Weight</b>                 | 2.4 kg  |
| <b>Enclosure</b>           | Magnesium Alloy Housing with All-Around Elastomeric Rubber                | <b>Cooling System</b>         | Fanless design  |
| <b>Docking Housing</b>     | nan   |                               |   |
| Power                      |   |                               |   |
| <b>Battery</b>             | 11.1V, 5200mAh Lithium-Ion Battery (6cells)                               | <b>Battery Operating Time</b> | 8 Hours   |
| <b>Power Rating</b>        | 9-36V DC in (MIL-DTL-38999/1 connector)                                   | <b>Adapter</b>                | 100-240V, 50-60Hz / 19V DC  |
| Environment                |   |                               |   |
| <b>Operating Humidity</b>  | 10% to 90% RH, non-condensing   | <b>Operating Temperature</b>  | -20°C to 60°C (AC mode), -10°C to 50°C (Battery mode)                                       |
| <b>Storage Temperature</b> | -30°C to 70°C (-22°F to 158°F)  | <b>Shock</b>                  | MIL-STD-810G Method 516.6 Procedure I   |
| <b>Vibration</b>           | MIL-STD-810G Method 514.6 Procedure I                                     | <b>IP rating</b>              | IP54  |

|                      |  |                           |  |
|----------------------|--|---------------------------|--|
| <b>Drop</b>          | MIL-STD-810G Method 516.6, 4 ft  |                           |  |
| <b>Certification</b> |  |                           |  |
| <b>Certification</b> | CE, FCC  |                           |  |
| <b>Control</b>       |  |                           |  |
| <b>Button</b>        | 1 x Power, 1 x Menu, 2 x Function Key, 2 x Brightness Control Key  |                           |  |
| <b>Accessory</b>     |  |                           |  |
| <b>Accessory</b>     | Cordon d'alimentation et adaptateur<br>Batterie standard<br>Guide de démarrage rapide<br>Manuel papier + CD<br>Stylet<br>Câble alimentation + Ethernet<br>MILSTD38999<br>Câble RS232/RS422/RS852 MILSTD38999 | <b>Optional Accessory</b> | Station d'accueil multifonctions<br>Kit d'adaptation pour véhicule<br>Chargeur voiture<br>Lanière pour main<br>Lanière épaule<br>Sacoche |
| <b>IO Ports</b>      |  |                           |  |
| <b>USB Port</b>      | 2 x USB 3.0  | <b>Serial Port</b>        | 1 x RS232/RS422 /485 + 1 x RS422 Port(MIL-STD-38999 connector)   |
| <b>Video</b>         | 1 x HDMI   | <b>Audio</b>              | 2 x 1 Watt Speaker   |
| <b>LAN</b>           | 2 x RJ45-10/100/1000 Mbps LAN(MIL-STD-38999 connector)   | <b>Indicator</b>          | 4x LED Indicator for Power, Battery, SSD, RF status  |

## DIMENSIONS UNIT:MM



## NOTE

1. Measured at dimming LCD brightness. Varies depending on the usage conditions, or when an external device is attached.
2. This is a simplified drawing and some components are not marked in detail.
3. Default uses the silver defence connector with RoHs, optional green defence connector without RoHs.