

# W12L100-GSB1

## 12.3" G-WIN GS Series Display



### KEY FEATURES

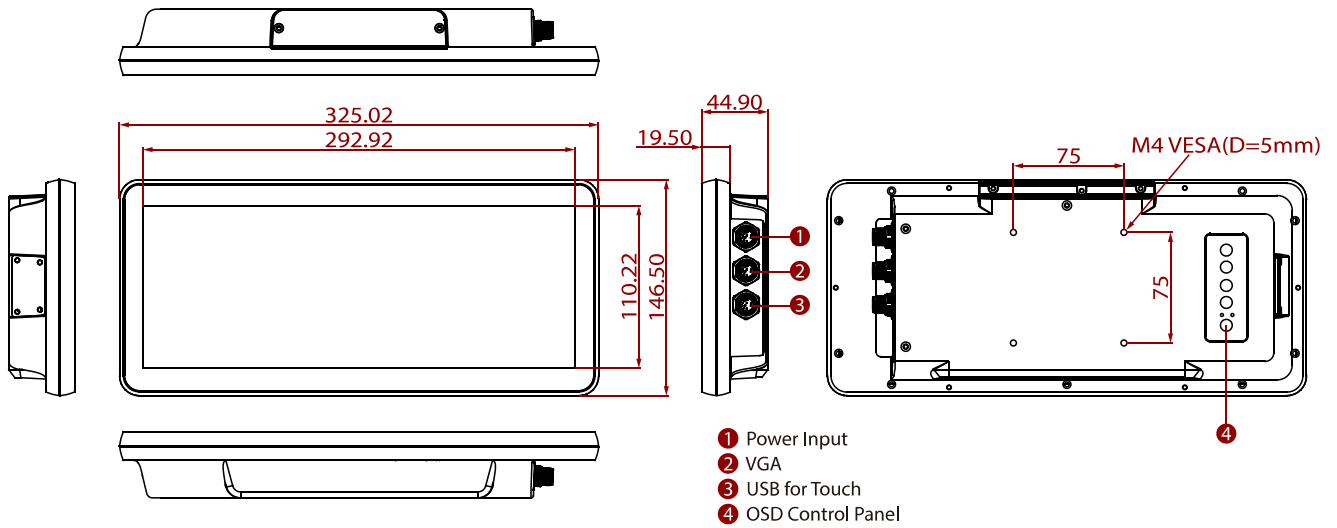
- 12.3" 1920 x 720 panel
- Projected Capacitive Multi-Touch (PCAP)
- Full IP65 Water and Dust Proof
- VGA input and USB port for touch
- M12 Type Connectors
- Compliant with MIL-STD-810F/G for Shock / Vibration



### SPECIFICATIONS

Display	
<b>Resolution</b>	1920x720
<b>Contrast Ratio</b>	1000:1
<b>Display Color</b>	16.7M Colors
<b>Type</b>	Projected Capacitive Multi Touch
<b>Size</b>	12.3 inches
<b>Panel Brightness</b>	1000.0 nits
<b>View Angles</b>	88,88,88,88
Environment	
<b>Operating Humidity</b>	10% to 95% RH
<b>Storage Temperature</b>	-30°C to 60°C
<b>Vibration</b>	1.48/1.90/2.24 g rms for XYZ/ 5-500Hz
<b>Operating Temperature</b>	-15~55°C
<b>Shock</b>	40g for 11ms
<b>IP rating</b>	IP65, Dustproof and Waterproof
Certification	
<b>Certification</b>	CE, FCC Compliant with MIL-STD-810F/G for vibration / shock
IO Ports	
<b>USB Port</b>	1 x USB for Touch Screen
<b>Audio</b>	1 x Speaker
<b>Video</b>	1 x VGA
Mechanical	
<b>Dimension</b>	325.02 x 146.5 x 44.9 mm
<b>Enclosure</b>	Metal Housing with Aluminum Bezel
<b>Mounting</b>	VESA Mount/ Panel Mount
<b>Cooling System</b>	Fanless Design
Accessory	
<b>Accessory</b>	Quick Start Guide(Hardcopy) AC Adapter(For 7" Display only) M12 Power Cable(Not Supplied with 7" Display) VGA Cable USB for Touch Cable I/O Protective Cap x 3
Power	
<b>Power Rating</b>	12V DC (M12 type)
Control	
<b>Button</b>	5 Keys: -, +, Power, Esc, Enter

## DIMENSIONS UNIT:MM



## NOTE

- 1.This is a simplified drawing and some components are not marked in detail.
- 2.Please contact our sales representative if you need further product information.
- 3.All specifications are subject to change without prior notice.
- 4.The product shown in this datasheet is a standard model.For diagrams that contain customized or optional I/ O, please contact the Winmate Sales Team for more information.