

R15IT3S-MRM2

15" Intel® Core™ i7-1165G7 Marine Panel PC



KEY FEATURES

- Intel® Core™ i7-1165G7 processor marine panel PC
- Dimming knob control backlight brightness from nearly 0% to 100%
- 9~36V DC power input acceptable
- Panel (flush) mount IP66 aluminum housing with powder coating design



SPECIFICATIONS

Display			
Touch / Glass	Resistive Touch Screen AR Glass (Optional)	Resolution	1024x768
Size	15.0 inches	Contrast Ratio	2000:1
Panel Brightness	300.0 nits	View Angles	88,88,88,88
Active Area	304.1x228.1 mm		
System Specification			
Processor	Intel Core i7-1165G7 2.8GHz (up to 4.7GHz)	Memory	1 x SO-DIMM, DDR4 2400 MHz, 4GB 8GB (Optional) 16GB (Optional) 32GB (Optional)
Storage	1 x M.2 2242 B-key SSD 128GB M.2 2242 B-key SSD up to 512GB (Optional) M.2 2280 M-Key NVME SSD, up to 4TB (Optional)	Ethernet controller	2 x Intel® Ethernet Controller
Operating System	Windows 10 IoT Enterprise (64 bit) (Optional) Windows 11 IoT Enterprise SAC (64 bit) (Optional) Linux Ubuntu 22.04 (Optional)		
Environment			
Operating Humidity	5% to 95%	Operating Temperature	-15~55°C
Shock	15G, 11ms duration	Vibration	0.7g@DNVGL CG-0339 (Class A)
IP rating	IP66 (Front Side)		
Certification			
Certification	CE, FCC		
Mechanical			
Dimension	412 x 345 x 71.7 mm	Weight	6.2 kg
Mounting	VESA Mount/ Panel Mount	Enclosure	Metal Housing with Aluminum Bezel
Cooling System	Fanless Design	Cut out	360 x 302mm
IO Ports			
USB Port	2 x USB 3.0	Serial Port	1 x RS232, 4 x RS232 or 4 x Isolation RS422/485 (Optional)
Video	1 x VGA	LAN	2 x RJ45-10/100/1000 Mbps

1 x HDMI (Optional)

Accessory

Accessory Driver CD & User Manual
4 x M6 Black Screw Bolt with M6 Nut
1 x AC Adapter 12V/ 84W
1 x Power Cord

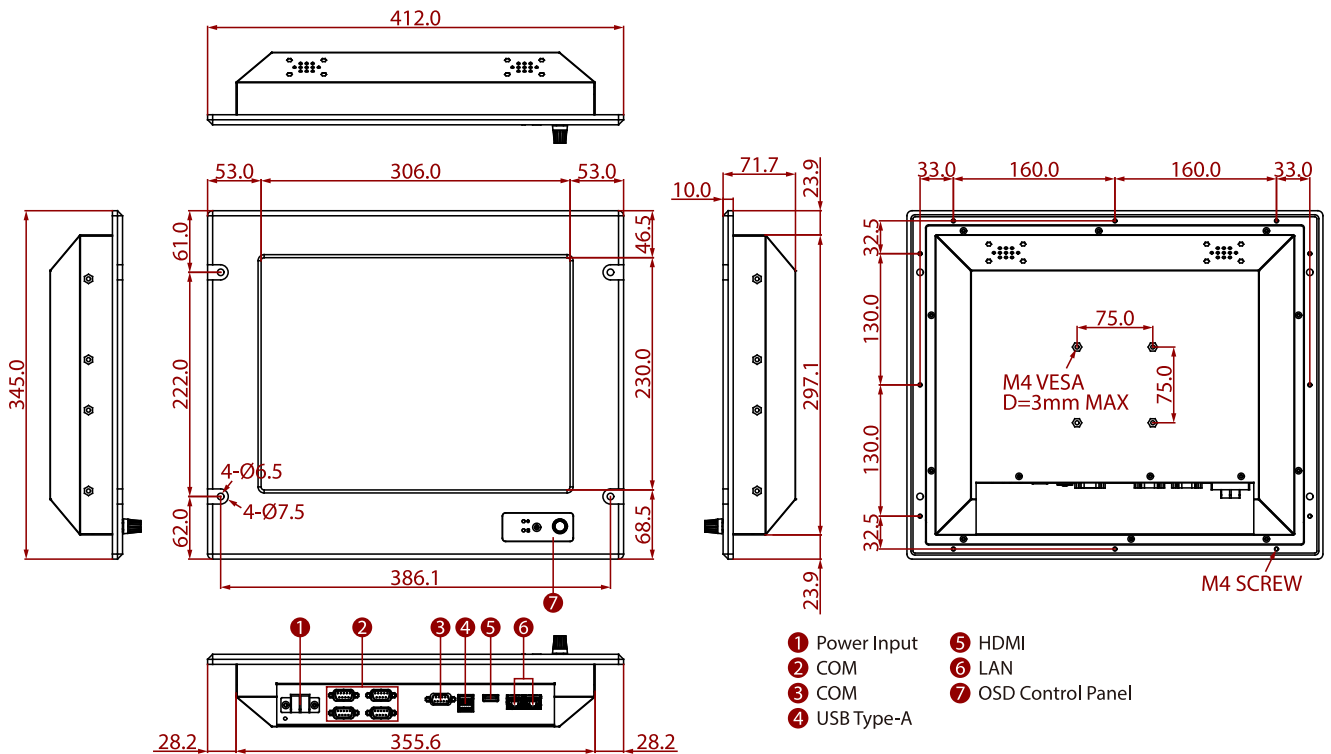
Power

Power Rating	24V DC-in with Isolation (Approval by Certificate) 9~36V DC Input Acceptable	Consumption	55W (Typical)
---------------------	---	--------------------	---------------

Control

Button 1 x Power Button
1 x Reset Button
1 x The Dimming Knob

DIMENSIONS UNIT:MM



NOTE

- 1.This is a simplified drawing and some components are not marked in detail.
- 2.Please contact our sales representative if you need further product information.
- 3.All specifications are subject to change without prior notice.
- 4.The product shown in this datasheet is a standard model.For diagrams that contain customized or optional I/ O, please contact the Winmate Sales Team for more information.