

EACFA20

NXP i.MX6 Dual Core Fanless Box PC



KEY FEATURES

- NXP i.MX6 Dual Core 1GHz, fanless box pc
- Fanless cooling system
- Compact size 100 x 70 x 31 mm (w/o mounting bracket)
- Various mounting options: desk, wall, VESA, DIN-Rail
- Microsoft Azure Certified for IoT



SPECIFICATIONS

System Specification			
Processor	NXP i.MX6 Dual Core, 1.0GHz	Memory	1GB 2GB (Optional)
Storage	eMMC: Onboard 16 GB eMMC: Onboard 32 GB (Optional)	Operating System	Linux Ubuntu 18.04
WLAN	Support (Optional)	BT	Support (Optional)
WWAN	WWAN (Optional)	Expansion Port	EACWSLT-222 WWAN Expansion Board (Single SIM Slot) EACWSLT-231 3-port RS232/422/485 w/ isolation EACWSLT-232 16-Channel Digital I/O w/ isolation EACWSLT-233 2-port CANBUS w/ isolation EACWLST-234 3 -port USB 2.0 EACWLST-235 2-port RS232/422/485 w/ isolation
Mechanical			
Dimension	100 (W) x 70 (H) x 31(D) mm(One layer) 100 (W) x 70 (H) x 61(D) mm(Double layer)	Weight	0.4 kg (One layer), 0.5 kg (Double layer)
Mounting	Desk Mounting and Wall Mounting VESA Mount (Optional) DIN-Rail Mount (Optional)	Enclosure	Metal Housing
Cooling System	Fanless design		
Environment			
Operating Humidity	30% to 90% RH, Non-Condensing	Operating Temperature	0°C to 55°C
Storage Temperature	-15°C to 70°C	Shock	Operating, IEC 60068-2-27
Vibration	Operating, IEC 60068-2-64	IP rating	IP30
Certification			
Certification	CE, FCC Microsoft Azure Certified for IoT AWS IoT Greengrass Certified		
IO Ports			
Power Input	1 x 9~36V DC, 2-Pin Terminal Block	USB Port	2 x USB2.0 (Type-A) 1 x USB2.0 OTG (Micro USB)
Video	1 x HDMI 1.4 (Optional)	Expansion Port	mPCIe: 1 x Full-size mPCIe slot USB Wafer : 2 x USB Wafer
LAN	2 x Giga LAN RJ45 Connector	Indicator	1 x LED Indicator for power

mini PCIe 1 x Mini PCIe

Control

Button 1 x Power Button
1 x Reset Button

Accessory

Accessory Quick Start Guide
Terminal Block 2 pin to 2.5Ø Female Adapter
Cable
Open Wire Cable with terminal block 2 pin
connector
WLAN External Antenna (For WLAN sku)
WWAN External Antenna (For WWAN sku)
AC to DC Adapter 12V/36W (Optional)
VESA Mounting Kit (Optional)
DIN Rail Mounting Kit (Optional)

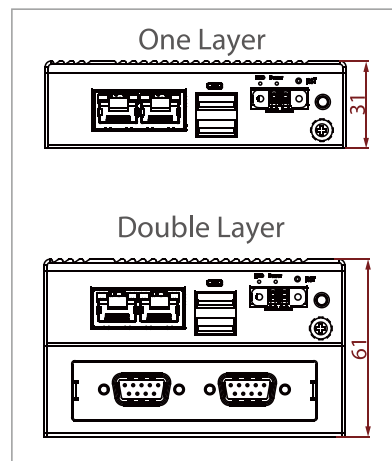
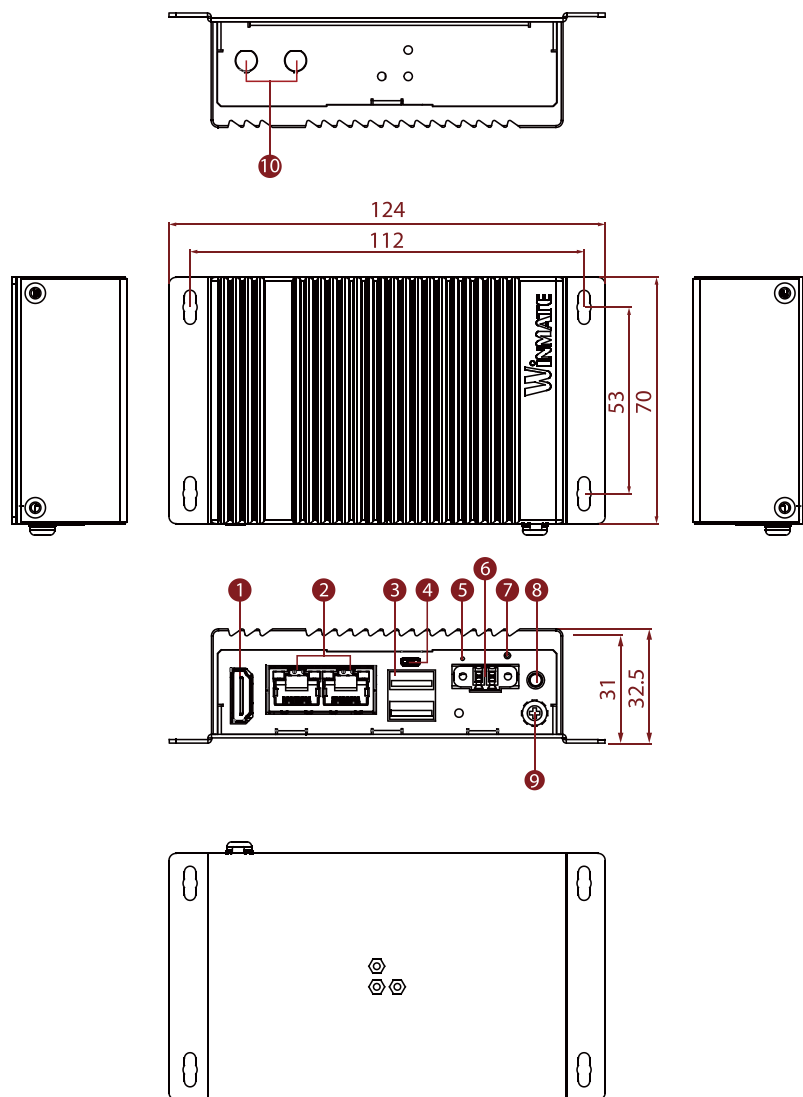
Power

Power Rating	9V~36V DC, 2-Pin Terminal Block	Adapter	12V 36W
--------------	---------------------------------	---------	---------

Ordering Information

Option EACWSLT-222 WWAN Expansion Board (Single
SIM Slot) (Optional)
EACWSLT-231 3-port RS232/422/485 w/ isolation
(Optional)
EACWSLT-232 16-Channel Digital I/O w/ isolation
(Optional)
EACWSLT-233 2-port CANBUS w/ isolation
(Optional)
EACWLST-234 3 -port USB 2.0 (Optional)
EACWLST-235 2-port RS232/422/485 w/ isolation
(Optional)

DIMENSIONS UNIT:MM



* The Flexible ExPandable Module.

- | | |
|-----------------|---------------------|
| ① HDMI | ⑥ Power Input |
| ② LAN | ⑦ Reset Button |
| ③ USB Type-A | ⑧ Power Switch |
| ④ Micro USB | ⑨ Chassis Grounding |
| ⑤ LED Indicator | ⑩ SMA |

NOTE

1. This is a simplified drawing and some components are not marked in detail.
2. Please contact our sales representative if you need further product information.
3. The Android OS option of EACFA20 only supports 1 x LAN.
4. The product shown in this datasheet is a standard model. For diagrams that contain customized or optional I/O, please contact the Winmate Sales Team for more information.