

IE32SB3-101

Intel® Celeron® N6211 M Series Box PC



KEY FEATURES

- Intel® Celeron® Elkhart Lake N6211 Processor
- 1 x DDR4 SO-DIMM 3200 MHz, max. 16GB
- 2 x Gigabit Ethernet
- Supports 2 x USB 3.2 Gen 2x1, Max. 3 x COM
- Elegant and slim mechanical design
- Fanless cooling system
- Optional Capture Card for HDMI input or CVBS input



SPECIFICATIONS

System Specification

Processor	Intel® Celeron® N6211 (up to 2.6GHz) Intel® Celeron® N6210 (up to 3.0GHz) (Optional)	Memory	1 x SO-DIMM, DDR4 3200 MHz, 4GB 8GB (Optional) 16GB (Optional)
Storage	1 x M.2 2242 B-key SSD 128GB 256GB (Optional) 512GB (Optional)	Ethernet controller	2 x Intel® Ethernet Controller
Security	TPM 2.0	Operating System	Windows 11 IoT Enterprise (64 bit) (Optional) Windows 11 Pro 64 bit (Optional) Windows 10 IoT Enterprise (64 bit) (Optional) Linux Ubuntu 22.04 (Optional)

Mechanical

Dimension	205 x 110 x 55 mm	Weight	1.1 kg
Mounting	Desk Mount	Enclosure	Metal Housing
Cooling System	Fanless design		

Environment

Operating Humidity	10% to 90% RH, Non-Condensing	Operating Temperature	0°C to 55°C
Storage Temperature	-10°C to 60°C		

Certification

Certification	CE, FCC
----------------------	---------

IO Ports

Power Input	1 x 12V DC, 2.5φ DC jack	USB Port	2 x USB3.2 Gen2x1 (Type-A)
Serial Port	1 x RS232/422/485 (Default RS232) 1~2 x RS232 (Optional)	Video	1 x HDMI 2.0 (Optional)
Expansion Port	1 x M.2 2242 Key B slot for SSD 1 x M.2 2230 Key E slot for WiFi (Optional) 1 x Capture Card for HDMI input or CVBS input (Optional)	LAN	2 x Giga LAN RJ45 Connector

Control

Button	1 x Power Button
---------------	------------------

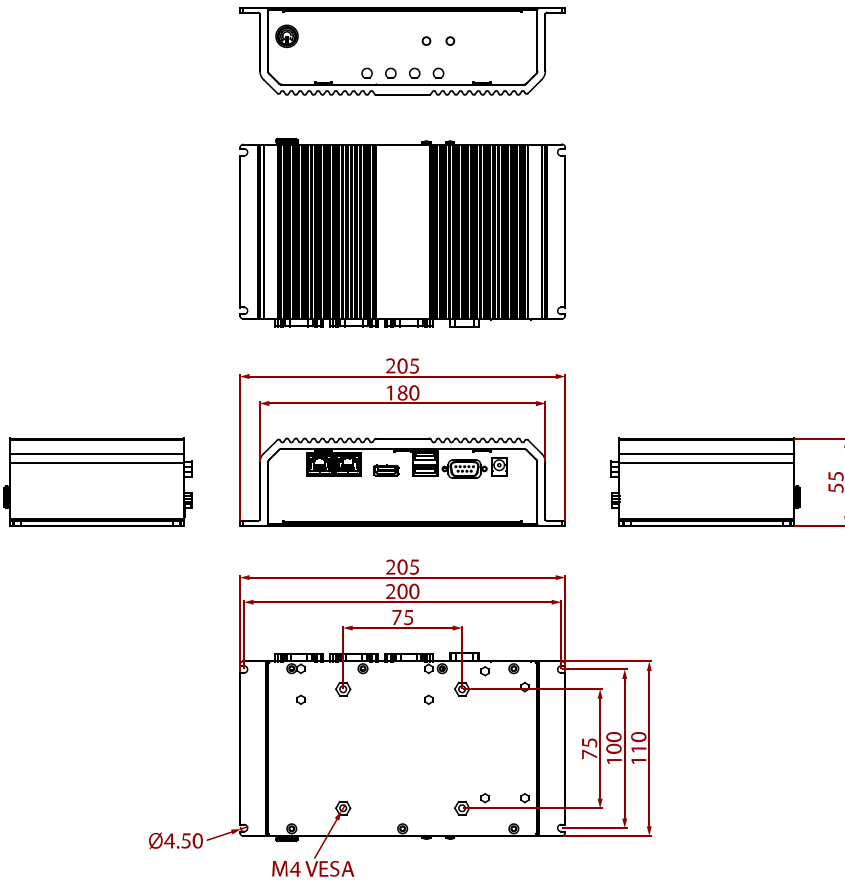
Accessory

Accessory 100~240V AC to DC Adapter
Power Cord

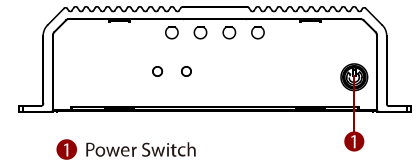
Power

Power Rating 12V DC

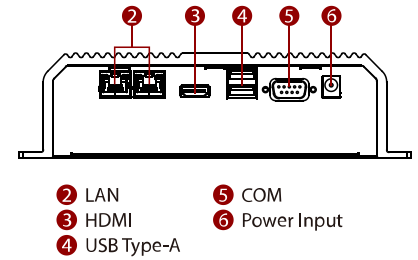
DIMENSIONS UNIT:MM



Front side I/O

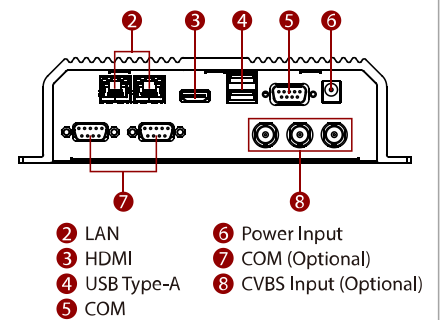
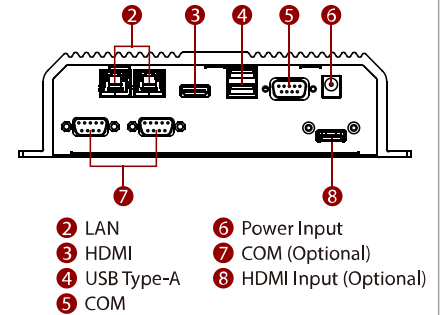


Rear side I/O



Ordering Information

1. Customer can optional add max. 2 ports COM
 2. Customer can optional add HDMI Input
 3. Customer can optional add CVBS Input
- *Note: 2 and 3 are either one optional I/O ports.



NOTE

1. This is a simplified drawing and some components are not marked in detail.
2. Please contact our sales representative if you need further product information.
3. All specifications are subject to change without prior notice.
4. The product shown in this datasheet is a standard model. For diagrams that contain customized or optional I/O, please contact the Winmate Sales Team for more information.