

IK7T-RK2U

Intel® Core™ i7-7700T 2U Rack Server



KEY FEATURES

- Intel® Core™ i7-7700T 2.9GHz Processor (Turbo max to 3.8GHz) 2U Rack Server
- Support Intel vPro, AMT 11 remote management
- Support TPM 2.0 Function
- Two front 2.5" SATAIII disk drive for RAID 0/1 support
- Fanless, custom cooling system for i7 Server PC
- IEC 61850-3, IEC60068-2-64, IEC 60068-2-2 compliant

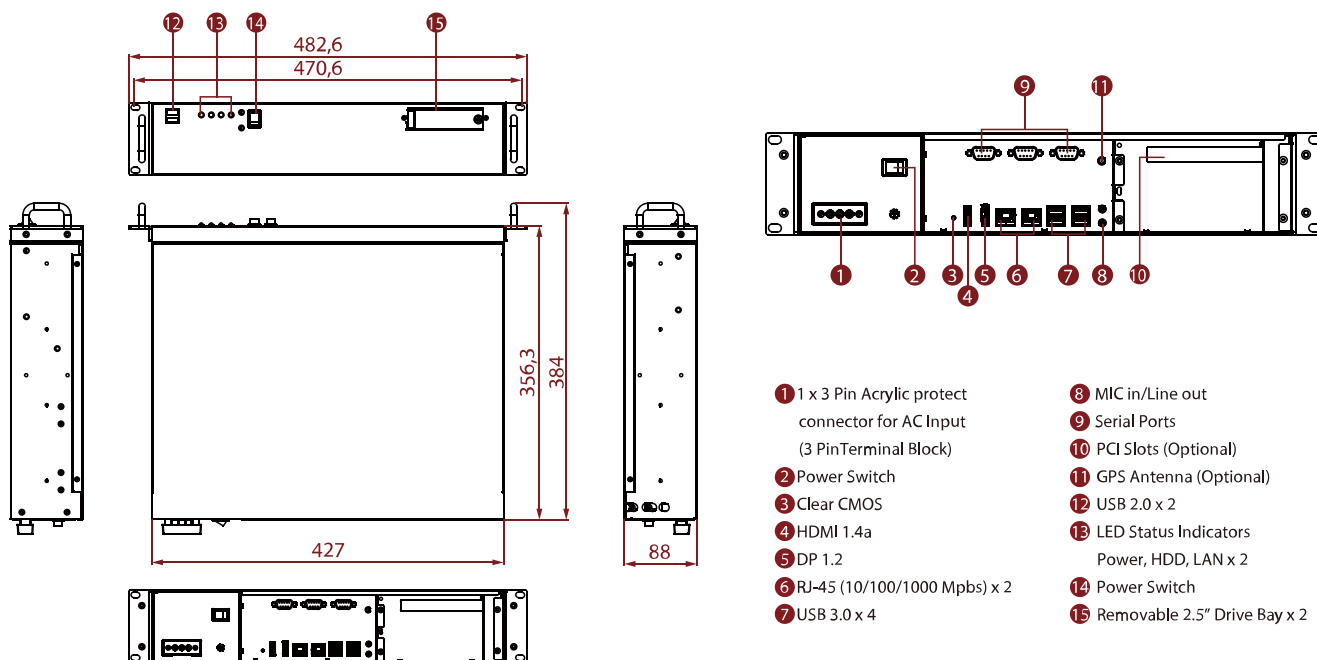


SPECIFICATIONS

System Specification			
Processor	Intel Core i7-7700T 2.9 GHz (up to 3.8GHz) Intel Core i5-7500T 2.7GHz (up to 3.3GHz) (Optional) Intel Core i3-7100T 3.4GHz (Optional)	Chipset	Intel® C236
Memory	1 x SO-DIMM, DDR4 2166 MHz, 4GB 8GB (Optional) 16GB (Optional) 32GB (Optional) 2 x SO-DIMM, DDR4 2166 MHz, 4GB (Optional) 8GB (Optional) 16GB (Optional) 32GB (Optional) 64GB (Optional)	Storage	1 x M.2 2242 B-key SSD 128GB. M.2 2242 B-key SSD Up to 512GB. (Optional) 1 x 2.5" SSD / HDD (Optional) 2 x SATA III support RAID 0,1 (Optional)
Ethernet controller	2 x Intel® Ethernet Controller	Security	TPM 2.0
Operating System	Windows 10 IoT Enterprise (64 bit) (Optional) Linux Ubuntu 20.04 (Optional)		
Mechanical			
Dimension	482.6 x 384 x 88 mm	Weight	8.2 kg
Mounting	2U Rack Mounting	Enclosure	Electroplated steel
Cooling System	Fanless design		
Environment			
Operating Humidity	10% to 90% RH, Non-Condensing	Operating Temperature	0°C to 50°C
Storage Temperature	-10°C to 60°C		
Certification			
Certification	CE, FCC		
IO Ports			
Power Input	1 x 3 Pin Acrylic protect connector for AC Input	USB Port	Front side 2 x USB2.0 (Type-A) Rear side 4 x USB3.2 Gen1x1 (Type-A)
Serial Port	3 x RS232/422/485 Select by Internal Jumper	Video	1 x DP1.2 1 x HDMI 1.4 (Optional)
Audio	1 x Mic in 1 x Line out	Expansion Port	2 x M.2 slot(1 for WiFi, 1 for SSD) 1 x PCIe 16 Swappable 2.5" HDD/SSD Bay Slot (Optional)

LAN	2 x Giga LAN RJ45 Connector	Indicator	1 x LED Indicator for power 1 x LED Indicator for storage 2 x LED Indicator for LAN
Control			
Button	1 x Front side Power Switch 1 x Rear side Power Switch(power input control) 1 x Clear CMOS		
Accessory			
Accessory	Open Wire Cable for connecting terminal block		

DIMENSIONS UNIT:MM



NOTE

1. This is a simplified drawing and some components are not marked in detail.
2. Please contact our sales representative if you need further product information.
3. SATAIII SSD or SATAIII HDD are mutually exclusive, please choose either one.
4. All specifications are subject to change without prior notice.