

M133TGML(HB)

13.3" Intel® Core™ i5-1135G7 Defence Ultra Rugged Tablet



KEY FEATURES

- 13.3", 1920 x 1080, 500 nits with optical bonding (optional high brightness 800 nits)
- MIL-STD-38999 connector for LAN/ USB2.0 and Power/ RS232 input
- Projected capacitive multi-touch screen
- Supports Glove/ Rain/ Stylus modes, active stylus
- High efficiency cooling system with fanless design
- MIL-STD-810G Compliant
- With IP65 dust and water-resistant certification



SPECIFICATIONS

Display			
Touch / Glass	Projected Capacitive Multi Touch Screen	Resolution	1920x1080
Size	13.3 inches	Contrast Ratio	1000:1
Panel Brightness	500 nits 800 nits(Optional)	View Angles	89,89,89,89
System Specification			
Processor	Intel Core i5-1135G7 2.4GHz (up to 4.2GHz)	Memory	4GB DDR4 SDRAM 8GB DDR4 SDRAM (Optional) 16GB DDR4 SDRAM (Optional) 32GB DDR4 SDRAM (Optional)
Storage	128GB M.2 SSD up to 2TB M.2 SSD (Optional) Storage 2 up to 1x 2TB M.2 SSD (Optional)	Ethernet controller	1 x RJ45-10/100/1000 Mbps LAN
Security	Trusted Platform Module (TPM) 2.0 Kensington Lock	Operating System	Windows 10 IoT Enterprise 64 bit
WLAN	Support	BT	BT Support
WWAN	4G/ LTE(optional)	GNSS	GPS, GLONASS
Camera			
Rear Camera	8MP Rear Camera with auto-focus and LED light		
Mechanical			
Dimension	338.2 x 239.8 x 47.3 mm	Weight	2.4 Kg (Without Kickstand), 2.8 Kg (With Kickstand)
Enclosure	Rear Magnesium Alloy Die-Casting Design	Cooling System	Fanless Design
IO Ports			
USB Port	3 x USB 3.0(Type A), 1 x USB 2.0(MIL-STD-38999 connector),1 x USB 3.1(Type C)	Serial Port	1 x RS-232 Serial COM Port(MIL-STD-38999 connector)
SD Card Slot	1 x Micro SD Card Slot	Video	1 x HDMI (Optional)
Audio	2 x 1 watt speaker Integrated Digital Mic With Noise Cancellation	LAN	1 x RJ45-10/100/1000 Mbps LAN(MIL-STD-38999 connector)
Indicator	4x LED Indicator for Power, Battery, SSD, RF status	Docking Connector	1 x Docking connector
Environment			

Operating Humidity	30% to 80% RH, non-condensing	Operating Temperature	-10°C to 50°C (14°F to 122°F)
Storage Temperature	-20°C to 60°C (-4°F to 140°F)	Shock	MIL-STD-810G Method 516.6 Procedure I
Vibration	MIL-STD-810G Method 514.6 Procedure I	IP rating	IP65, Dustproof and Waterproof
Drop	MIL-STD-810G Method 516.6, 4 ft	ESD	ESD (Contact/Air) : 12kV/12kV

Compliance

MIL-STD 461E/F/G	RE101 / RE102 CE101 / CE102 CS118 with EMI Glass / Touch(Optional) RS101 / RS 103 CS101 / CS 106 / CS 109 / CS 114 / CS 115 / CS 116	MIL-STD 810G	Vibration Method 514.6 Humidity Method 507.4 Transit Drop Method516.5
-------------------------	---	---------------------	---

Certification

Certification	CE,FCC
----------------------	--------

Security Function

Kensington Lock	Kensington Lock Support
------------------------	-------------------------

Control

Button	1 x Power,1 x menu,2 x volume key 3 x Programmable Function Keys
---------------	---

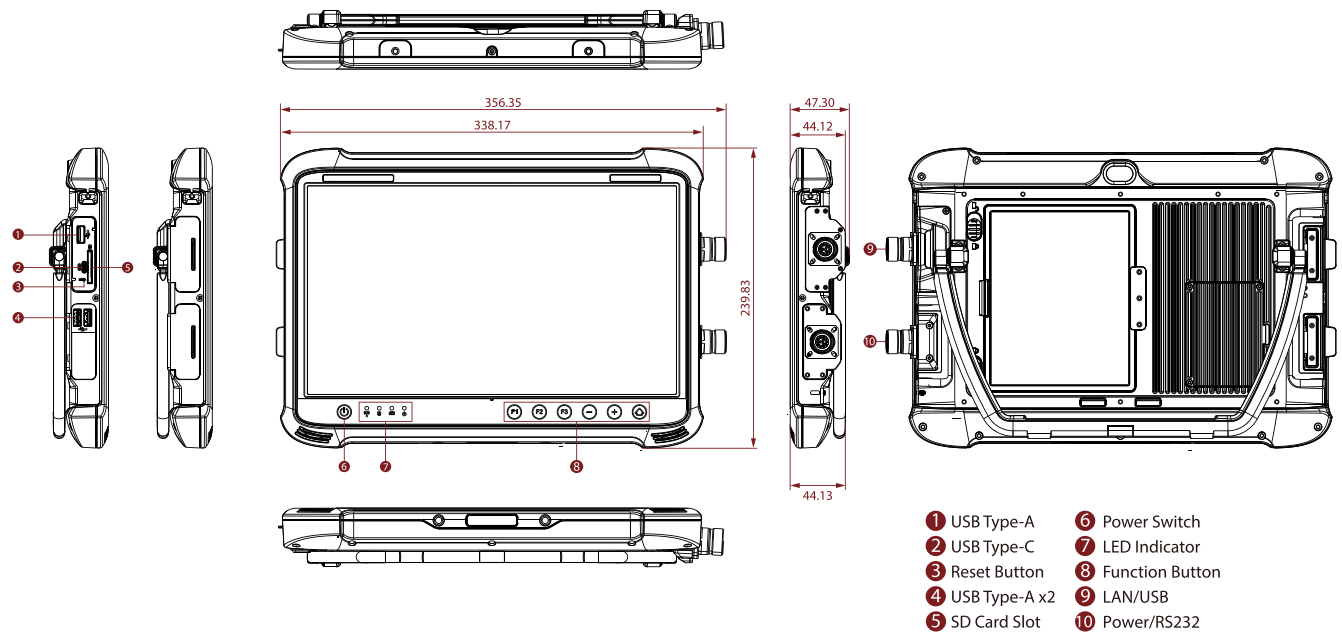
Power

Battery	15.4V, typ. 5900 mAh Li-Polymer Battery (4S1P)	Battery Operating Time	More than 10 hours (BAPCo TabletMark v3)
Power Rating	24V DC(MIL-STD-38999/1 connector)	Adapter	100-240V, 50-60Hz / 24V DC

Accessory

Accessory	Adapter and PowerCord Standard Battery Stylus Stand with Integrated Handle Power/RS232 External Cable LAN/USB2.0 External Cable	Optional Accessory	Shoulder Strap (Optional) Battery Charger (Optional) Active Pen (Optional)
------------------	--	---------------------------	--

DIMENSIONS UNIT:MM



NOTE

- 1.This is a simplified drawing and some components are not marked in detail.
- 2.Please contact our sales representative if you need further product information.
- 3.All specifications are subject to change without prior notice.
- 4.The product shown in this datasheet is a standard model.For diagrams that contain customized or optional I/ O, please contact the Winmate Sales Team for more information.