

R12L100-VMM2

12.1" G-WIN VM Series Display



KEY FEATURES

- High Quality 12.1" panel, 1024 x 768 resolution, 500 nits
- 5 Wire resistive touch screen
- -10 ~ +55°C Wide Range Operating Temperature
- Anti-Corrosion housing with Fanless Design
- 9V ~ 36V DC Isolation Wide Range Power Input



SPECIFICATIONS

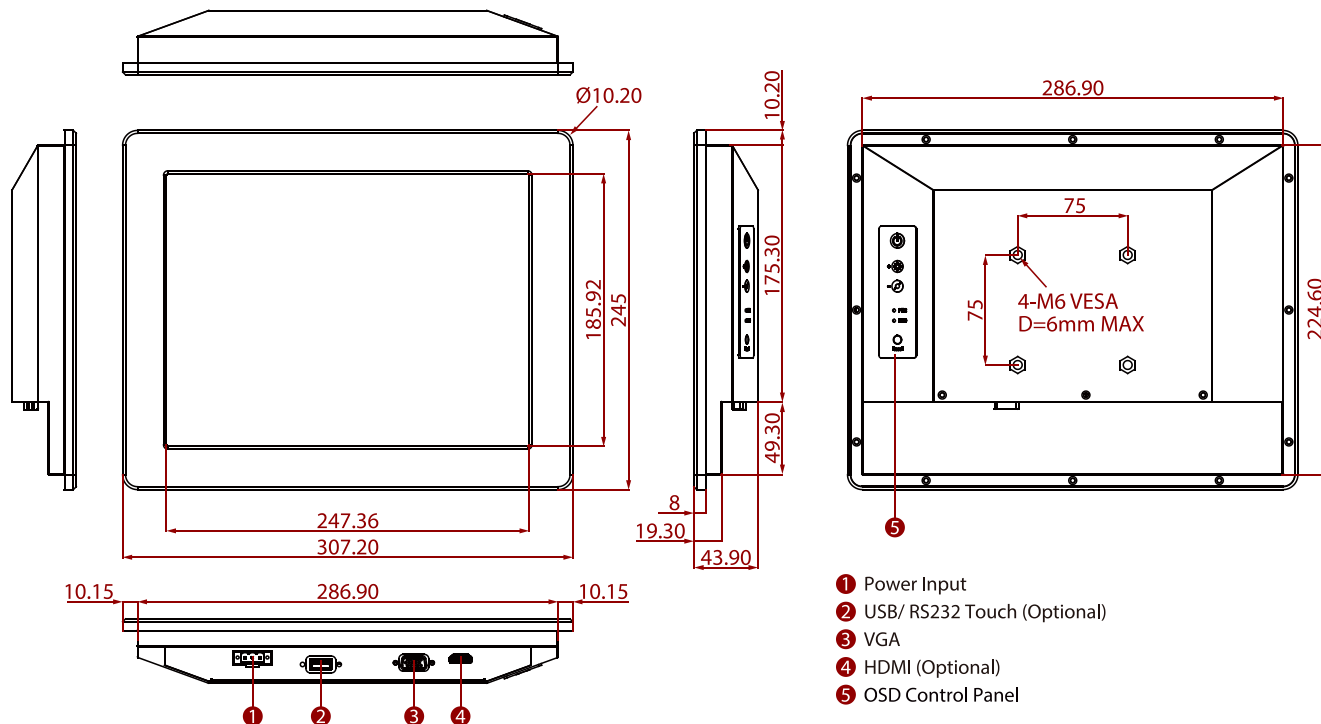
Display			
Resolution	1024x768	Size	12.1 inches
Contrast Ratio	1000:1	Panel Brightness	500 nits
Display Color	16.2M Colors	View Angles	89,89,89,89
Active Area	245.76 x 184.32 mm	Touch / Glass	Resistive Touch Screen Protection Glass Without Touch Function (Optional)
Environment			
Operating Humidity	10% to 95% (Non-Condensing)	Operating Temperature	-10°C~55°C
Storage Temperature	-30°C~70°C	Shock	Operating:30g for 18ms
Vibration	Operating: 1.60/1.96/2.18 g rms for XYZ / 5-500Hz		
Certification			
Certification	CE, FCC		
IO Ports			
USB Port	1 x USB for Touch Screen (Optional)	Serial Port	1 x RS232 for Touch Screen (Optional)
Video	1 x VGA 1 x DVI (Optional) 1 x S-Video (Optional) 1 x Composite (Optional)		
Mechanical			
Dimension	307 x 224 x 43.90 mm	Mounting	VESA Mount
Enclosure	Metal Housing with Aluminum Bezel	Cooling System	Fanless Design
Accessory			
Accessory	User Manual(Hardcopy) Touch Driver CD 3 Pin Terminal Block AC Adapter Power Cord Mounting Bracket		
Power			

Power Rating 9V~36V DC In Terminal Block

Control

Button 5 Keys: -, +, Power, Esc, Enter

DIMENSIONS UNIT:MM



NOTE

- 1. This is a simplified drawing and some components are not marked in detail.
- 2. The product shown in this datasheet is a standard model. For diagrams that contain customized or optional I/O, please contact the Winmate Sales Team for more information.
- 3. All specifications are subject to change without prior notice.