

R12L600-MRM2

12.1" Marine Display



KEY FEATURES

- 12.1" 1024 x 768 resolution
- Resistive touch screen (Optional protection glass w/o touch function)
- IP66 aluminum housing with powder coating design (IP54 rear)
- 9 to 36 V DC power supply with terminal block (Default)
- Picture-in-picture (PIP) function and multi-video inputs
- Ease-of-use front panel OSD control
- Enhanced shock and vibration resistance
- Certified DNVGL-CG-0339, IEC60945 4th, IACS E10
- Dimming knob to control backlight brightness from nearly 0% to 100%



SPECIFICATIONS

Display			
Resolution	1024x768	Size	12.1 inches
Contrast Ratio	1000:1	Panel Brightness	500.0 nits
Display Color	16.2M Colors	View Angles	89,89,89,89
Active Area	245.76x184.32 mm	Touch / Glass	Resistive Touch Screen AR Glass (Optional)
Environment			
Operating Humidity	5% to 95%	Operating Temperature	-15~55°C
Shock	15G,11ms duration	Vibration	0.7g@DNVGL CG-0339 (Class A)
IP rating	IP66 (Front Side)		
Certification			
Certification	CE, FCC		
IO Ports			
Serial Port	1 x RS232 for Remote Control 1 x RS232/USB for Touch Screen	Video	1 x VGA 1 x DVI-D 1 x Composite 1 x S-Video
Mechanical			
Dimension	337 x 293.2 x 70.8 mm	Weight	4kg
Mounting	VESA Mount/ Panel Mount	Enclosure	Metal Housing with Aluminum Bezel
Cooling System	Fanless Design	Cut out	307 x 253mm
Power			
Power Rating	24V DC-in with Isolation (Approval by Certificate) 9~36V DC Input Acceptable	Consumption	35W (Typical)
Accessory			
Accessory	1 x User Manual. 1 x CD for Touchscreen Driver Tools. 1 x DVI Cable. 1 x VGA Cable.		

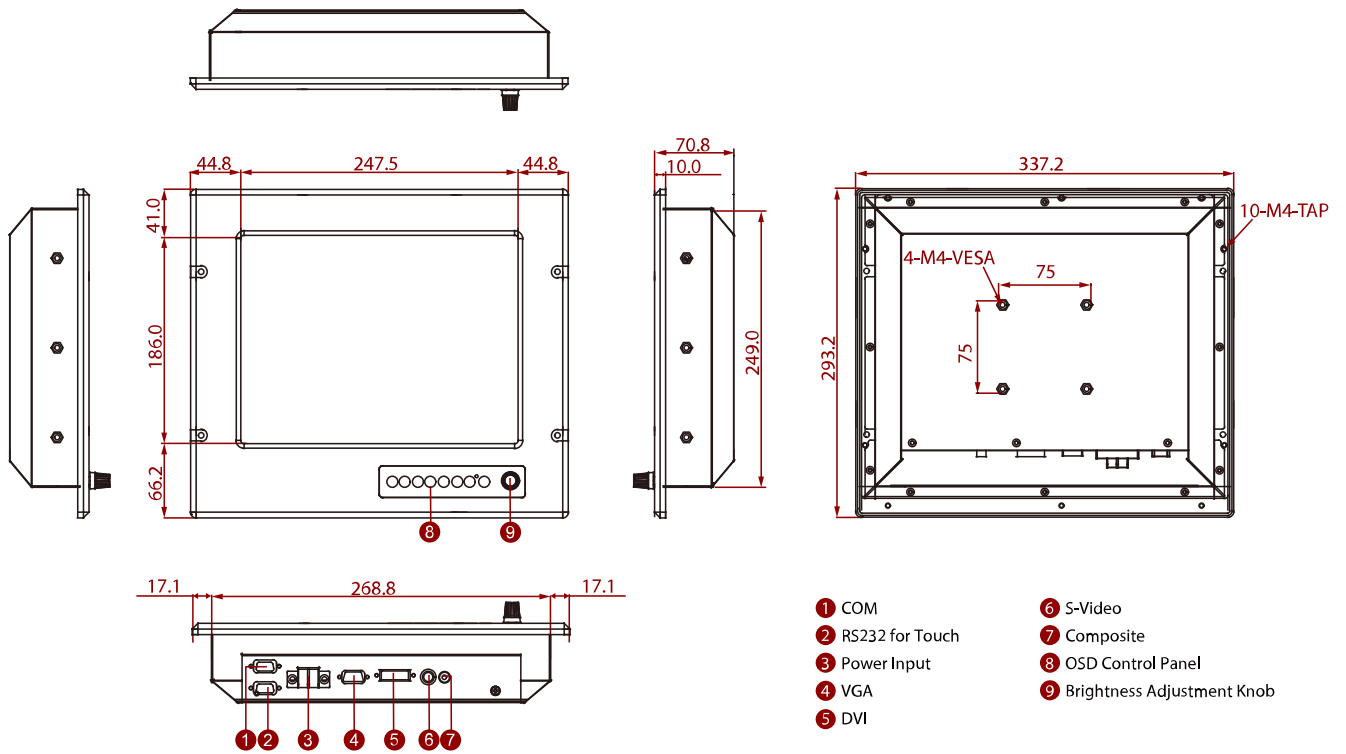
1 x RS232 Serial Cable.
 1 x S-Video Cable.
 1 x Composite Cable.

Control

Button

- 8 key:
- Esc/PIP
- Auto adjustment
- Left
- Right/Source
- OK/Menu
- Up
- Down
- Power
- 1 x The Dimming Knob

DIMENSIONS UNIT:MM



NOTE

1. This is a simplified drawing and some components are not marked in detail.
2. Please contact our sales representative if you need further product information.
3. All specifications are subject to change without prior notice.
4. The product shown in this datasheet is a standard model. For diagrams that contain customized or optional I/O, please contact the Winmate Sales Team for more information.