

R15IB3S-MLA3HB

15" Intel® Celeron® N2930 G-WIN Defence Panel PC



KEY FEATURES

- Build in ambient Light sensor
- High Quality 15" Panel, 1024x768 resolution, 1000 nits
- 5 Wire Resistive Touchscreen(Optional) / Anti-Reflection Protection Glass
- 802.11 a/b/g/n Wireless LAN with Antenna (Optional)
- Aluminum Housing with Anti-Corrosion Treatments
- Anti-Shock and Vibration Standard according to MIL-STD-810F/G & IEC60068-2-27
- Fanless Design
- Full IP65 Dust/water resistant Protection (Except I/O parts)
- Defence grade power connector
- Ultra Low Power and High Performance Intel® Bay Trail N2930 1.83 GHz
- Wide Range 9 to 36 V DC Input (Optional)

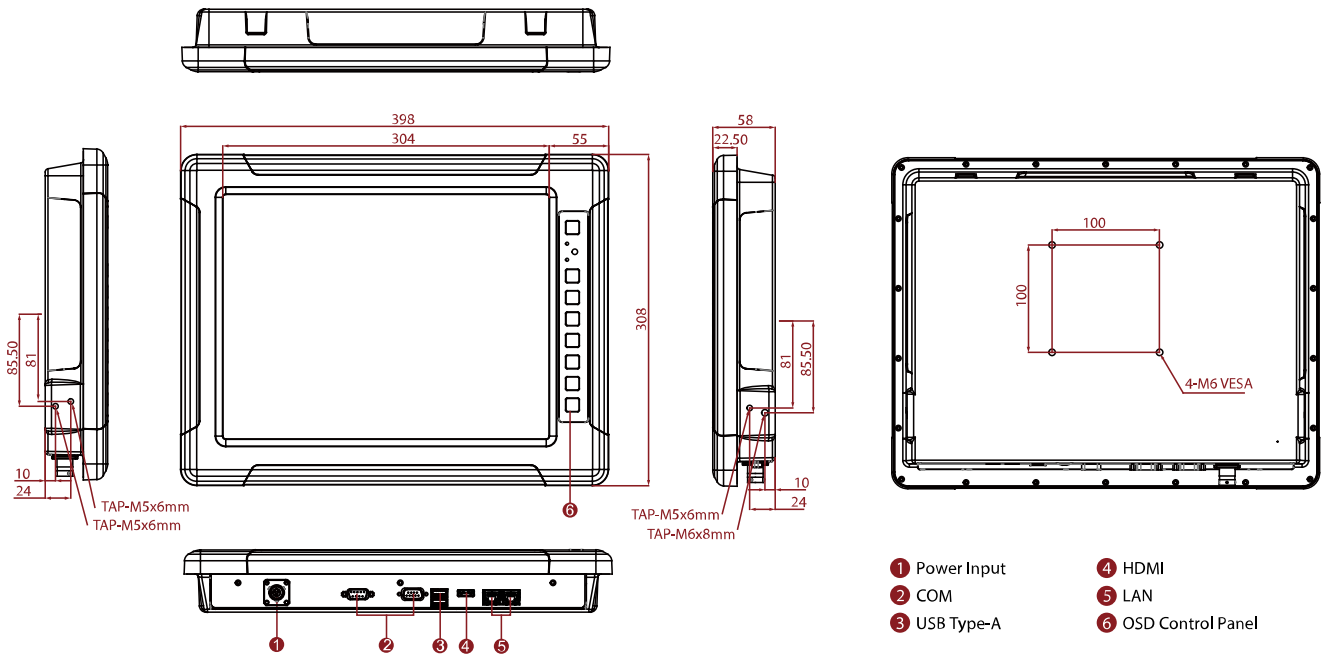


SPECIFICATIONS

| Display | | | |
|----------------------------|--|------------------------------|---|
| Resolution | 1024x768 | Size | 15 inches |
| Contrast Ratio | 2500:1 | Panel Brightness | 1000 nits |
| View Angles | 88,88,88,88 | Active Area | 304.1x228.1 mm |
| Touch / Glass | AR Protection Glass 5 Wires Resistive Touch (Optional) 5 Wire Resistive with EMI Mesh Filter (Optional) EMI Glass (Optional) | | |
| System Specification | | | |
| Processor | Intel® Celeron® N2930 (2M Cache, up to 2.16 GHz) | Memory | 1 x SO-DIMM, DDR3L 1600 MHz, 4GB 8GB (Optional) |
| Storage | 1 x mSATA SSD 128GB. mSATA SSD up to 512GB. (Optional) | Ethernet controller | 2 x Intel® Ethernet Controller |
| Operating System | Windows 10 IoT Enterprise (Optional) Linux Ubuntu 20.04 (Optional) | WLAN | Support (Optional) |
| BT | Support (Optional) | | |
| Environment | | | |
| Operating Humidity | 10% to 95% RH | Operating Temperature | -20°C~60°C |
| Storage Temperature | -30°C~70°C | Shock | Operating:30g for 18ms |
| Vibration | Operating: 1.60/1.96/2.18 g rms for XYZ / 5-500Hz | | |
| Compliance | | | |
| MIL-STD 461E/F | RE101 / RE102 CE101 / CE102 with EMI Glass / Touch(Optional) RS101 / RS 103 CS101 / CS 106 / CS 109 / CS 114 / CS 115 / CS 116 | MIL-STD 810F/G | Vibration Method 514.5 Humidity Method 507.4 Transit Drop Method516.5 |

| Certification | | | |
|---------------|--|----------------|--|
| Certification | CE, FCC | | |
| IO Ports | | | |
| USB Port | 1 x USB2.0 1 x USB3.0 | Serial Port | 1 x RS-232(Default)/422/485 1 x RS-232 (Optional) |
| Video | 1 x HDMI (Optional) | LAN | 2 x RJ-45 |
| Mechanical | | | |
| Dimension | 398 x 308 x 58 mm | Mounting | VESA Mount |
| Enclosure | Metal Housing with Aluminum Bezel | Cooling System | Fanless Design |
| Accessory | | | |
| Accessory | User Manual Driver CD and User Manual Touch Driver CD Open Wire Cable 100~240V AC to DC Adapter Power Cord | | |
| Power | | | |
| Power Rating | 12V DC (MIL-DTL-38999/1 connector) 9V to 36V wide range (Optional) | | |
| Control | | | |
| Button | 8 key: Power Reset Lock/Unlock Auto Dimming/Manually Day/Night Mode Brightness Up Brightness Down LED Adjustment | | |

DIMENSIONS UNIT:MM



NOTE

1. R15IB3S-MLA3HB

