

# R17L100-RKA1ML

## 17" Rack Mount Protective Glass Defense Display



### KEY FEATURES

- Compliant MIL-STD 810G/ MIL-STD 461E glass defense
- Rack mount mechanical design, supports VESA mount
- High image quality, 1280 x 1024 pixels resolution Rack Mount Protective Glass Defense Display
- AR protection glass, Rack Mount Protective Glass Defense Display
- Defence-grade power connector (MIL-DTL-38999/1)
- AC 100~240V, Universal,  $\pm 10\%$ ; DC 9~36V,  $\pm 10\%$  (Optional)
- Build-in Light Sensor for Auto Brightness Control
- Resistive Touch (Optional)
- Glass defense



### SPECIFICATIONS

Display			
<b>Resolution</b>	1280x1024	<b>Size</b>	17 inches
<b>Contrast Ratio</b>	1000:1	<b>Panel Brightness</b>	350 nits
<b>Display Color</b>	16.7M Colors	<b>View Angles</b>	85,85,80,80
<b>Active Area</b>	337.920x270.336 mm	<b>Touch / Glass</b>	AR Protection Glass EMI ITO Glass (Optional) 5-wire Resistive Touch (Optional) 5-wire Resistive Touch with EMI Mesh Filter (Optional)
Environment			
<b>Operating Humidity</b>	10% to 95% RH	<b>Operating Temperature</b>	-20°C~60°C
<b>Storage Temperature</b>	-30°C~70°C		
Compliance			
<b>MIL-STD 461E/F</b>	RE101 / RE102 CE101 / CE102 with EMI Glass / Touch(Optional) RS101 / RS 103 CS101 / CS 106 / CS 109 / CS 114 / CS 115 / CS 116	<b>MIL-STD 810F/G</b>	Vibration Method 514.5 Humidity Method 507.4 Transit Drop Method 516.5
Certification			
<b>Certification</b>	CE, FCC		
IO Ports			
<b>Video</b>	1 x 15 Pin D-Sub 5 x BNC 1 x DVI-D		
Mechanical			
<b>Dimension</b>	482.6 x 399.3 x 69.6 mm	<b>Mounting</b>	Rack Mount/ VESA Mount
<b>Enclosure</b>	Metal Housing with Aluminum Bezel	<b>Cooling System</b>	Fanless Design
Power			

**Power Rating** AC 100~240V, Universal, ±10%  
DC 9~36V, ±10% (Optional)

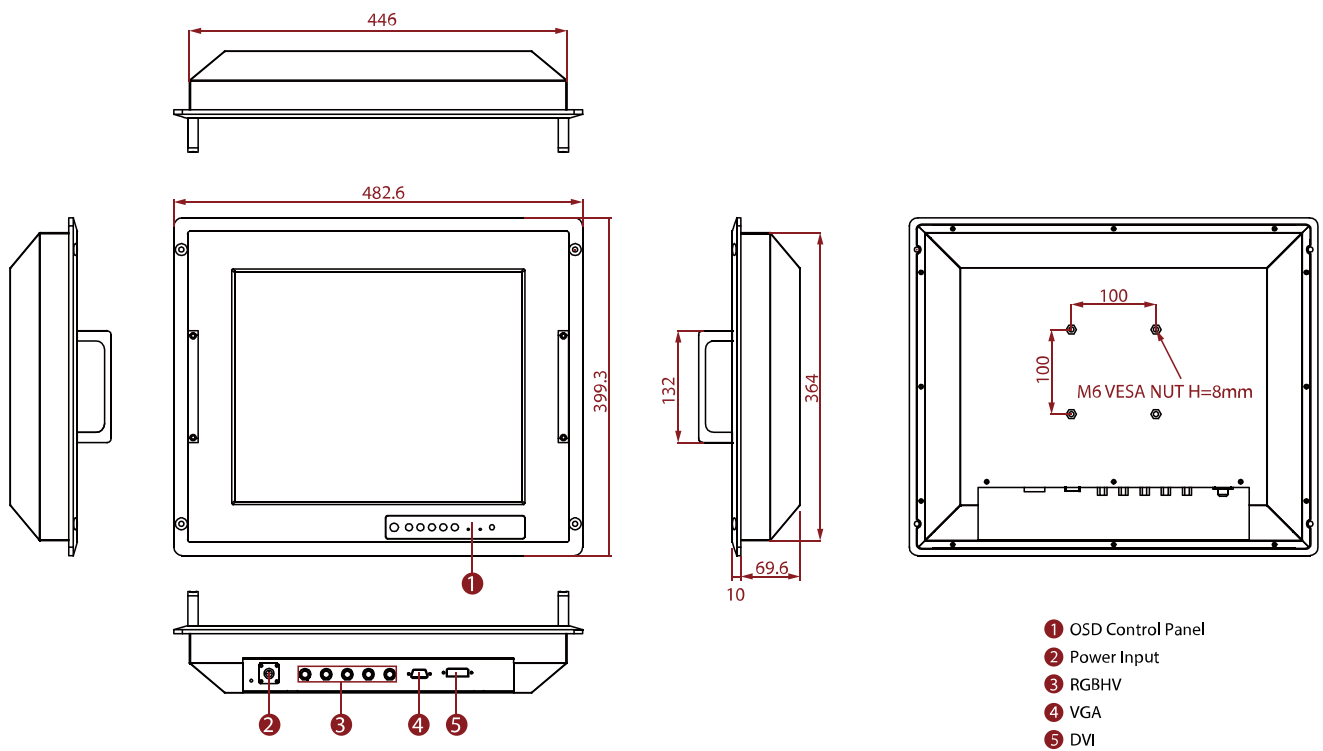
### Accessory

**Accessory** 1 x User Manual(Hardcopy)  
1 x Power Cord MIL-DTL-38999/1  
1 x VGA Cable  
1 x DVI Cable  
1 x VGA to 5 BNC Shielding Cable

### Control

**Button** 7 key:  
Power  
Decrease  
Increase  
Exit/ Auto  
Menu  
Day/ Night  
Lock/ Unlock

## DIMENSIONS UNIT:MM



## NOTE

1. This is a simplified drawing and some components are not marked in detail.
2. If you require an external test report, Winmate will charge an NRE fee.
3. Please contact our sales representative if you need further product information.
4. All specifications are subject to change without prior notice.
5. The product shown in this datasheet is a standard model. For diagrams that contain customized or optional I/O, please contact the Winmate Sales Team for more information.