

# R19IB3S-RKA3ML

## 19" Intel® Celeron® N2930 Defence Console Rack Panel PC



### KEY FEATURES

- 19" SXGA TFT LCD
- Intel® Celeron® N2930 2.16 GHz processor
- Anti-Corrosion Housing / Fanless
- Compliant with MIL-STD-810G/F
- Flush Rack / Rack Mount Mechanical Design (9U)
- Convenient On-Screen Display Controls
- AC 110~240 V Power input default
- Isolation DC 9~36 V Power input (Optional)
- Built-in Light Sensor for auto brightness control
- Defence Grade Power Connector (MIL-DTL-38999/1)

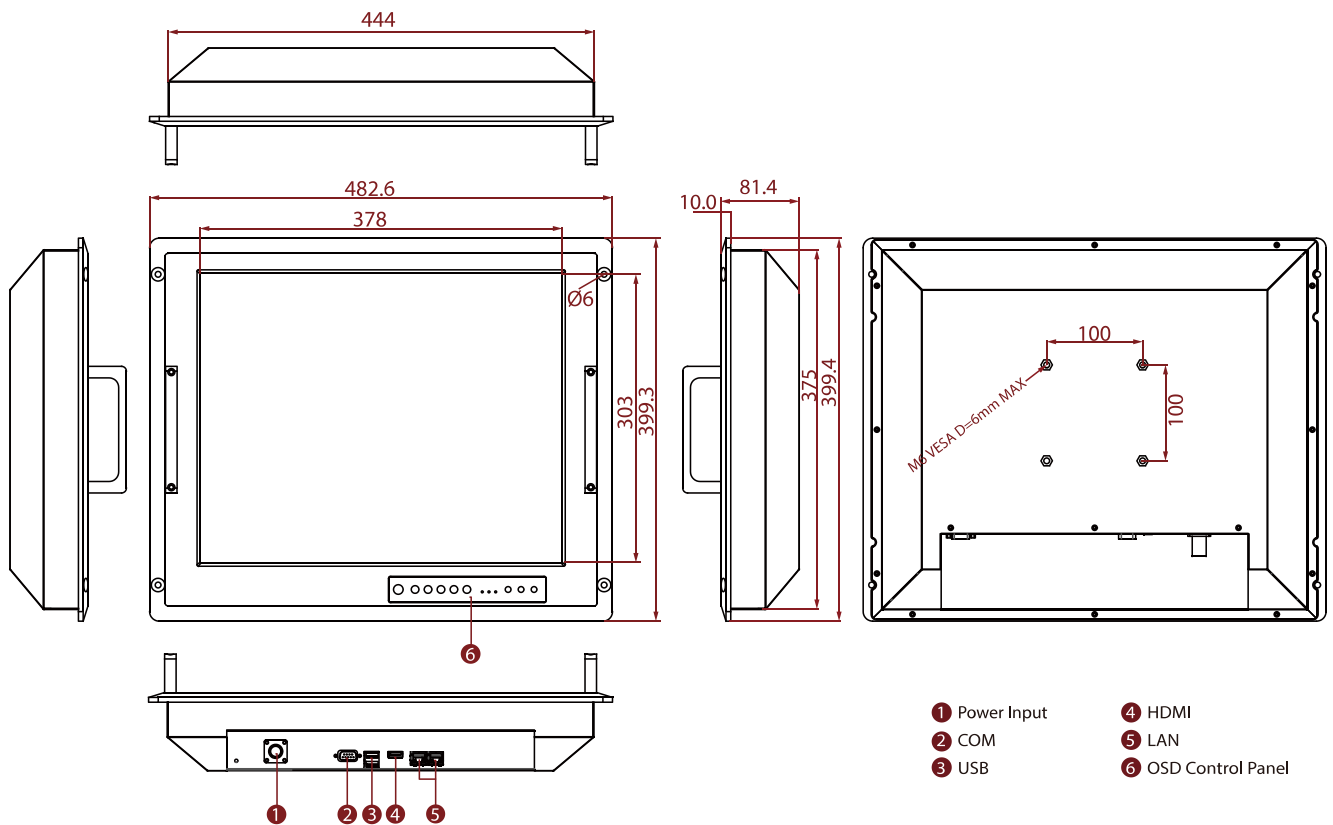


### SPECIFICATIONS

Display			
<b>Resolution</b>	1280x1024	<b>Size</b>	19 inches
<b>Contrast Ratio</b>	1000:1	<b>Panel Brightness</b>	350 nits
<b>View Angles</b>	85,85,80,80	<b>Active Area</b>	376.32x301.06 mm
<b>Touch / Glass</b>	AR Protection Glass 5 Wires Resistive Touch (Optional) 5 Wire Resistive with EMI Mesh Filter (Optional) EMI Glass (Optional)		
System Specification			
<b>Processor</b>	Intel® Celeron® N2930 (2M Cache, up to 2.16 GHz)	<b>Memory</b>	1 x SO-DIMM, DDR3L 1600 MHz, 4GB 8GB (Optional)
<b>Storage</b>	1 x mSATA SSD 64GB. mSATA SSD up to 512GB. (Optional)	<b>Ethernet controller</b>	2 x Intel® Gigabit Ethernet Controller
<b>Operating System</b>	Windows 10 IoT Enterprise (Optional) Linux Ubuntu 18.04 (Optional)	<b>WLAN</b>	Support (Optional)
<b>BT</b>	Support (Optional)		
Environment			
<b>Operating Humidity</b>	10% to 95% RH	<b>Operating Temperature</b>	-20°C~60°C
<b>Storage Temperature</b>	-30°C~70°C		
Compliance			
<b>MIL-STD 461E/F</b>	RE101 / RE102 CE101 / CE102 with EMI Glass / Touch(Optional) RS101 / RS 103 CS101 / CS 106 / CS 109 / CS 114 / CS 115 / CS 116	<b>MIL-STD 810F/G</b>	Vibration Method 514.5 Humidity Method 507.4 Transit Drop Method 516.5
Certification			
<b>Certification</b>	CE, FCC		
IO Ports			
<b>USB Port</b>	1 x USB2.0	<b>Serial Port</b>	1 x RS232(Default)/422/485

	1 x USB3.0		
<b>Video</b>	1 x HDMI (Optional)	<b>LAN</b>	2 x RJ-45
<b>Mechanical</b>			
<b>Dimension</b>	482.6 x 399.3 x 81.4 mm	<b>Mounting</b>	VESA Mount/ Rack Mount
<b>Enclosure</b>	Metal Housing with Aluminum Bezel	<b>Cooling System</b>	Fanless Design
<b>Accessory</b>			
<b>Accessory</b>	User Manual (Hardcopy) CD-ROM with Driver Utility Power Cord MIL-DTL-38999/1		
<b>Power</b>			
<b>Power Rating</b>	AC 100~240V, Universal, ±10% DC 9~36V, ±10% (Optional)		
<b>Control</b>			
<b>Button</b>	8 Key OSD Control Pad: Power, Brightness DOWN, Brightness UP, Night, Day, Auto / Manual, Reset, Lock		

## DIMENSIONS UNIT:MM



## NOTE

1. This is a simplified drawing and some components are not marked in detail.
2. Please contact our sales representative if you need further product information.
3. All specifications are subject to change without prior notice.
4. The product shown in this datasheet is a standard model. For diagrams that contain customized or optional I/O, please contact the Winmate Sales Team for more information.