

W15L100-PPL10D

15.6" PCAP Touch Panel Mount Display



KEY FEATURES

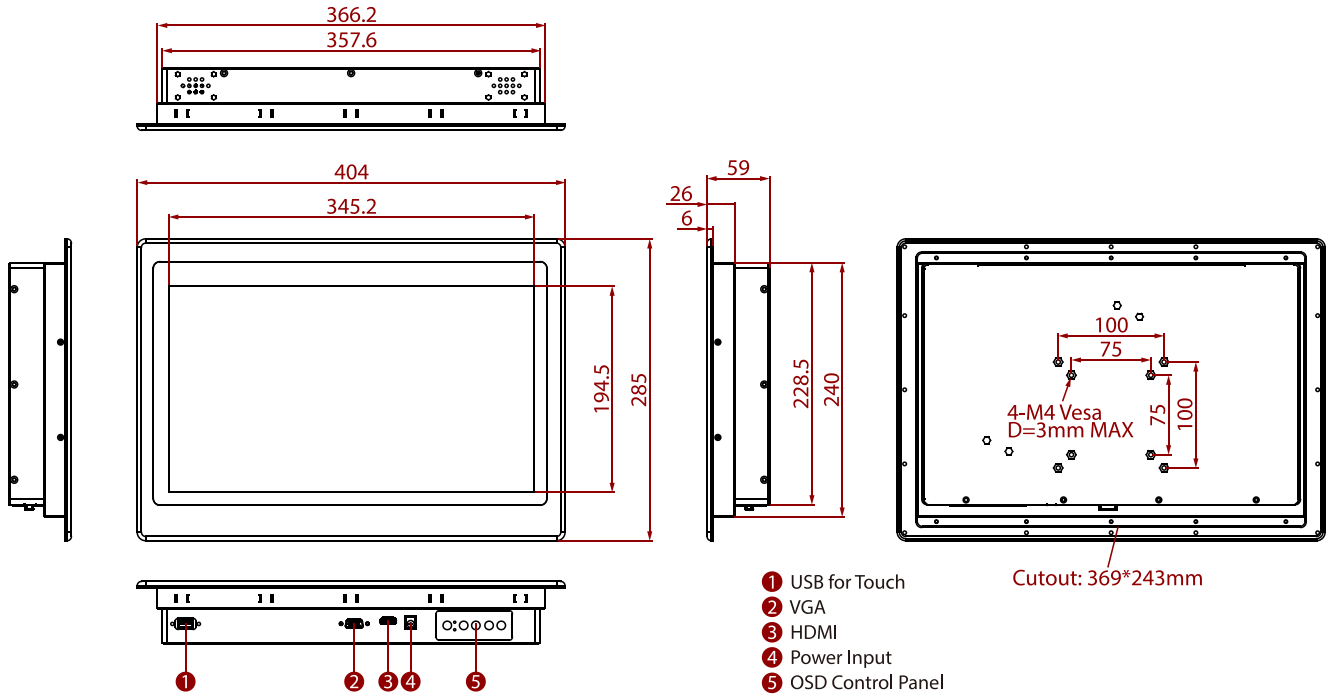
- Sunlight readable with high brightness solution
- Support panel mount
- Support PCAP touch
- Operating temperature -10~60°C
- Optional operating temperature -25~60°C with heater solution
- Optional solar radiation protection with UV film for directed sunlight environment
- Front IP65



SPECIFICATIONS

| Display | | | |
|----------------------------|--|------------------------------|--|
| Touch / Glass | Projected Capacitive Multi Touch Screen | Resolution | 1920x1080 |
| Size | 15.6 inches | Contrast Ratio | 800:1 |
| Panel Brightness | 1000.0 nits | Display Color | 16.2M Colors |
| View Angles | 85,85,85,85 | Active Area | 344.16x193.59 mm |
| Environment | | | |
| Operating Humidity | 10% to 90% RH, Non-Condensing | Operating Temperature | 0°C to 50°C |
| Storage Temperature | -10°C to 60°C | IP rating | Front IP65 |
| Certification | | | |
| Certification | CE, FCC | | |
| IO Ports | | | |
| USB Port | 1 x USB for Touch Screen | Video | 1 x VGA 1 x HDMI (Optional) 1 x DVI (Optional) |
| Audio | Audio line in (3.5mm) (Optional) 2 x Speaker (Optional) | | |
| Mechanical | | | |
| Dimension | 404 x 285 x 59 mm | Weight | 2.3 kg |
| Mounting | VESA Mount/ Panel Mount | Enclosure | Metal Housing with Aluminum Bezel |
| Cooling System | Fanless Design | | |
| Accessory | | | |
| Accessory | 1 x VGA cable 1 x HDMI cable 100~240V AC to DC Adapter Power Cord Manual VESA screws(Varies by product) | | |
| Optional Accessory | Remote Controller (Optional,Varies by product) | | |
| Power | | | |
| Power Rating | 12V DC in 24V DC in (optional) | | |
| Control | | | |

DIMENSIONS UNIT:MM



NOTE

1. This is a simplified drawing and some components are not marked in detail.
2. Please contact our sales representative if you need further product information.
3. All specifications are subject to change without prior notice.
4. The product shown in this datasheet is a standard model. For diagrams that contain customized or optional I/O, please contact the Winmate Sales Team for more information.