

# W24L100-MRL1FP

## 23.8" 4K UHD Marine Display



### KEY FEATURES

- 23.8" 4K UHD with projective capacitive multi-touch screen
- Multi Video Output ,VGA+DVI+HDMI+DP
- 24V DC power input
- fanless cooling system

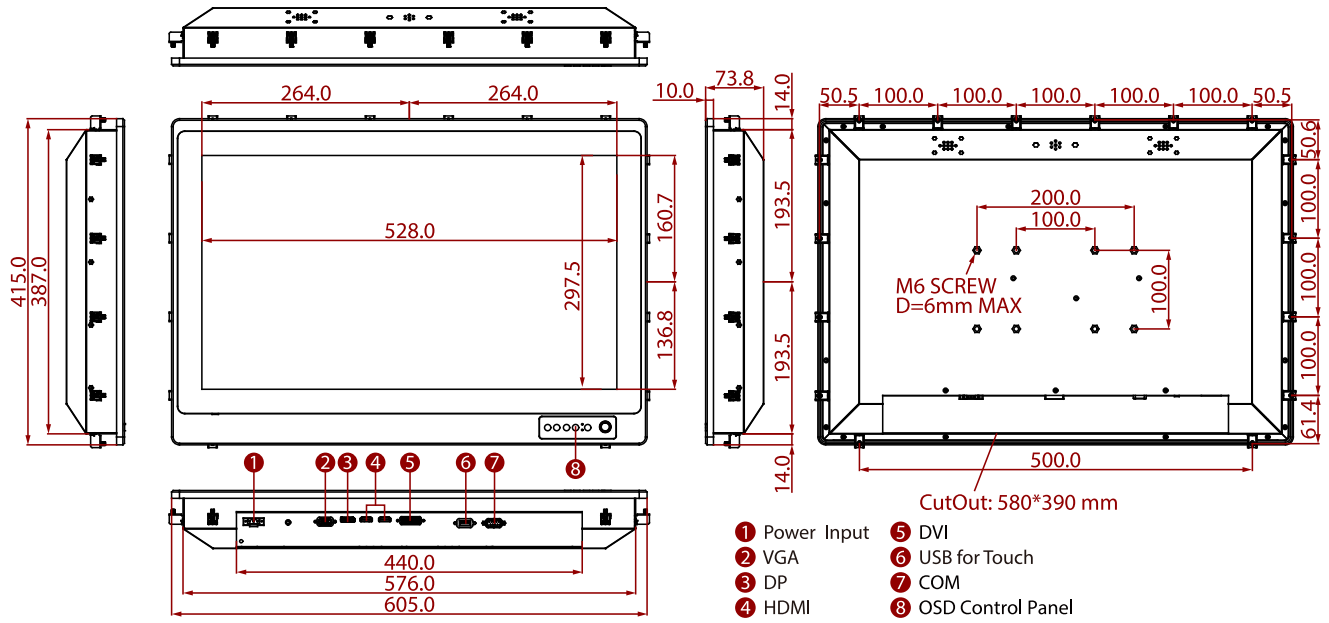


### SPECIFICATIONS

Display			
<b>Touch / Glass</b>	Projected Capacitive Multi Touch Screen AR Glass (Optional)	<b>Resolution</b>	3840x2160
<b>Size</b>	23.8 inches	<b>Contrast Ratio</b>	1200:1
<b>Panel Brightness</b>	540.0 nits	<b>Display Color</b>	1.07B Colors
<b>View Angles</b>	89,89,89,89	<b>Active Area</b>	525.65x295.70 mm
Environment			
<b>Operating Humidity</b>	5% to 95%	<b>Operating Temperature</b>	-15~55°C
<b>Shock</b>	15G,11ms duration	<b>Vibration</b>	0.7g@DNVGL CG-0339 (Class A)
<b>IP rating</b>	IP66 (Front Side)		
Certification			
<b>Certification</b>	CE, FCC		
IO Ports			
<b>USB Port</b>	1 x USB Type A	<b>Serial Port</b>	1 x RS232 for remote control
<b>Video</b>	1 x VGA 1 x DVI-D 1 x HDMI 1.4 1 x HDMI 2.0 1 x DP		
Mechanical			
<b>Dimension</b>	601 x 415 x 73.8 mm	<b>Weight</b>	10.5 kg
<b>Mounting</b>	VESA Mount/ Panel Mount	<b>Enclosure</b>	Anodized Aluminum Bezel
<b>Cooling System</b>	Fanless Design	<b>Cut out</b>	570 x 360 mm
Power			
<b>Power Rating</b>	24V DC-in with Isolation (Approval by Certificate) 9~36V DC Input Acceptable	<b>Consumption</b>	75W (Typical)
Accessory			
<b>Accessory</b>	User Manual Quick Start Guide (Hardcopy) M4 x 12 Black Screw Bolts AC to DC Adapter Power Cord 3 Pin Terminal Block	<b>Optional Accessory</b>	1 x USB cable

- 1 x VGA cable
- 1 x DVI cable
- 1 x HDMI cable
- 1 x RS232 cable

## DIMENSIONS UNIT:MM



## NOTE

1. This is a simplified drawing and some components are not marked in detail.
2. Please contact our sales representative if you need further product information.
3. All specifications are subject to change without prior notice.
4. The product shown in this datasheet is a standard model. For diagrams that contain customized or optional I/O, please contact the Winmate Sales Team for more information.