

W32L100-MRA3FP

32" Marine Display



KEY FEATURES

- High image quality, 1920 x 1080 pixels resolution Marine Display
- 9~36 V DC to DC power input acceptable (Isolation Resistance)
- High quality touchscreen / AR protection glass for option
- Ease of use front panel OSD control Marine Display
- Enhanced shock and vibration resistance
- Panel Mount

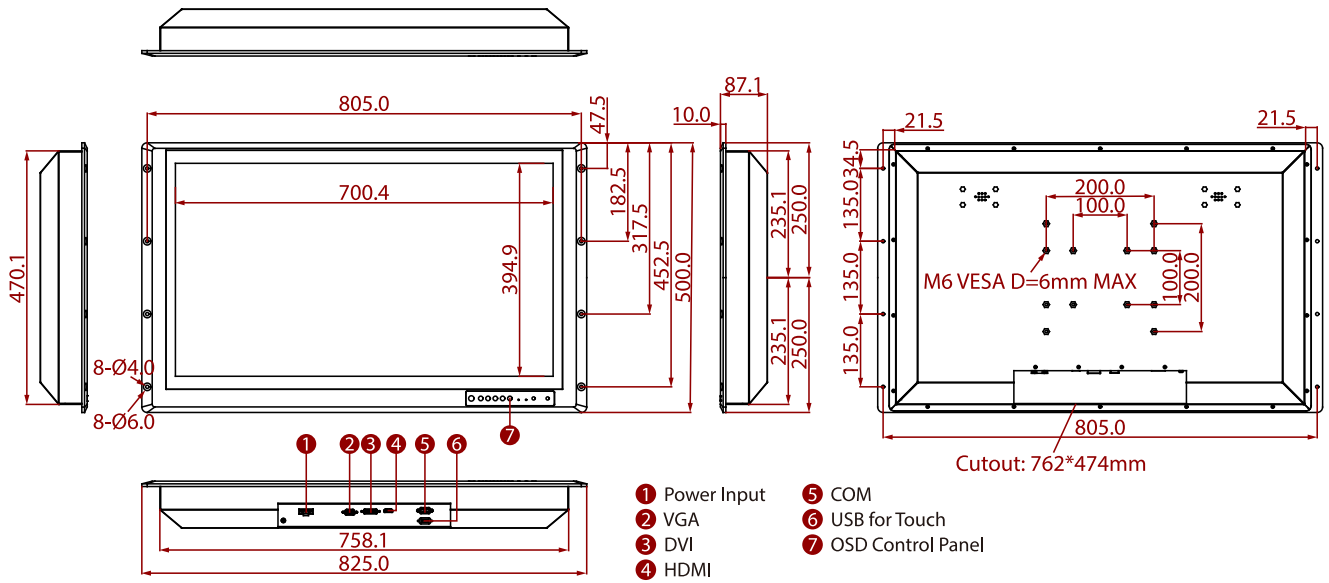


SPECIFICATIONS

Display	
Resolution	1920x1080
Contrast Ratio	4000:1
Display Color	16.7M Colors
Active Area	698.4x392.85 mm
Size	32.0 inches
Panel Brightness	400.0 nits
View Angles	89,89,89,89
Touch / Glass	Projected Capacitive Multi Touch Screen AR Glass (Optional)
Environment	
Operating Humidity	10% to 95% RH
Storage Temperature	-20°C~60°C
Operating Temperature	-15~55°C
IP rating	Front IP65
Certification	
Certification	CE, FCC
Mechanical	
Dimension	805 x 500 x 87.1 mm
Mounting	VESA Mount/ Panel Mount
Cooling System	Fanless Design
Weight	17 kg
Enclosure	Anodized Aluminum Bezel
Cut out	762 x 474 mm
Accessory	
Accessory	User Manual Quick Start Guide (Hardcopy) M4 x 12 Black Screw Bolts AC to DC Adapter Power Cord 3 Pin Terminal Block 1 x VGA cable 1 x DVI cable 1 x HDMI cable 1 x RS232 cable
Optional Accessory	1 x USB cable
Power	
Power Rating	24V DC-in with Isolation (Approval by Certificate) 9~36V DC Input Acceptable
Consumption	55W (Typical)
Control	
Button	7 key: Power Decrease

Increase
Exit/ Auto
Menu
Day/ Night
Lock/ Unlock

DIMENSIONS UNIT:MM



NOTE

1. This is a simplified drawing and some components are not marked in detail.
2. Please contact our sales representative if you need further product information.
3. All specifications are subject to change without prior notice.
4. The product shown in this datasheet is a standard model. For diagrams that contain customized or optional I/O, please contact the Winmate Sales Team for more information.