

# W27L100-IPA1

## 27" Front IP65 Display



### KEY FEATURES

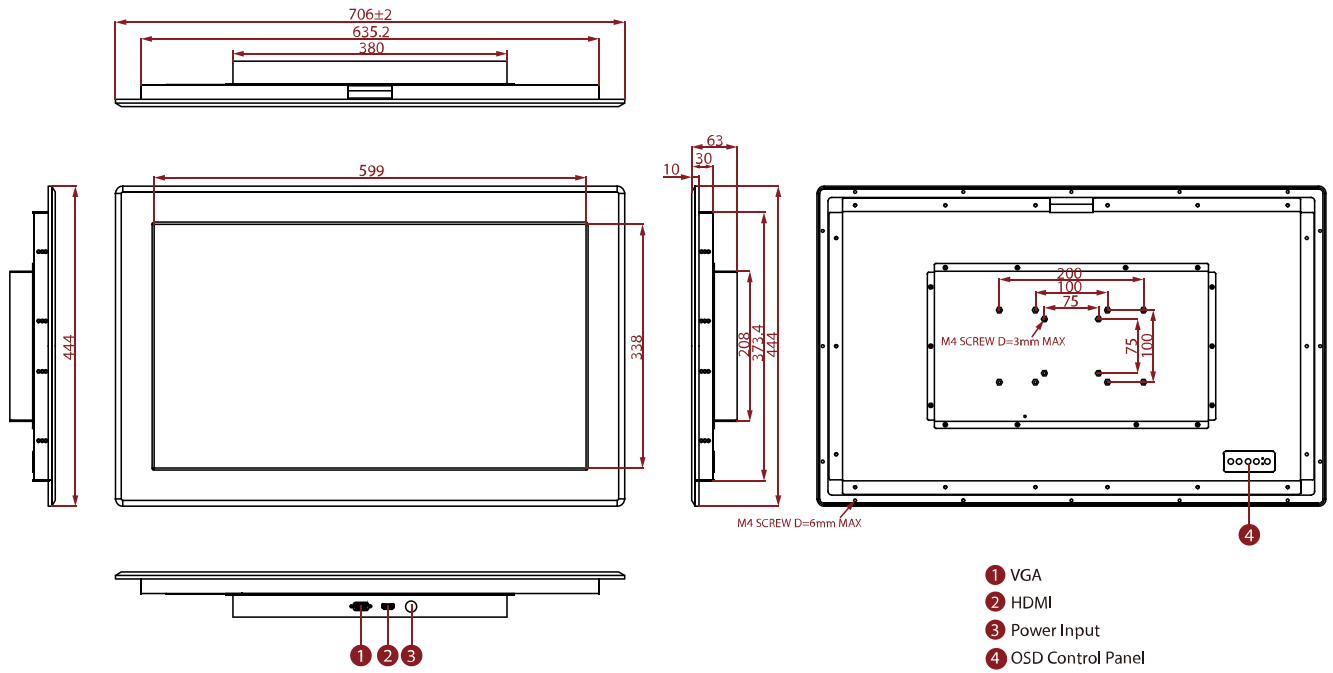
- 27", 1920 x 1080
- VGA and HDMI input
- Panel mount
- VESA mount
- Front IP65 waterproof and dustproof



### SPECIFICATIONS

Display	
<b>Resolution</b>	1920x1080
<b>Contrast Ratio</b>	3000:1
<b>Display Color</b>	16.7M Colors
<b>Active Area</b>	599x337 mm
<b>Size</b>	27.0 inches
<b>Panel Brightness</b>	300.0 nits
<b>View Angles</b>	89,89,89,89
<b>Touch / Glass</b>	Protection Glass
Environment	
<b>Operating Humidity</b>	10% to 90% RH, Non-Condensing
<b>Storage Temperature</b>	-10°C to 60°C
<b>Operating Temperature</b>	0°C to 50°C
Certification	
<b>Certification</b>	CE, FCC
IO Ports	
<b>Video</b>	1 x VGA 1 x HDMI (Optional) 1 x DVI (Optional)
<b>Audio</b>	Audio line in (3.5mm) (Optional) 2 x Speaker (Optional)
Mechanical	
<b>Dimension</b>	706 x 444 x 63 mm
<b>Enclosure</b>	Metal Housing with Aluminum Bezel
<b>Cut out</b>	640 x 376mm
<b>Mounting</b>	VESA Mount/ Panel Mount
<b>Cooling System</b>	Fanless Design
Accessory	
<b>Accessory</b>	1 x VGA cable 1 x HDMI cable 100~240V AC to DC Adapter Power Cord Manual VESA screws(Varies by product)
<b>Optional Accessory</b>	Remote Controller (Optional,Varies by product)
Power	
<b>Power Rating</b>	12V DC in 24V DC in (optional)
Control	
<b>Button</b>	5 Keys: -, +, Power, Esc, Enter

**DIMENSIONS** UNIT:MM



**NOTE**

1. This is a simplified drawing and some components are not marked in detail.
2. Please contact our sales representative if you need further product information.
3. All specifications are subject to change without prior notice.
4. The product shown in this datasheet is a standard model. For diagrams that contain customized or optional I/O, please contact the Winmate Sales Team for more information.