

Vehicle Dock (without VGA output)

Model Name: VD-M101S

Part Number: 98DT00A0000F



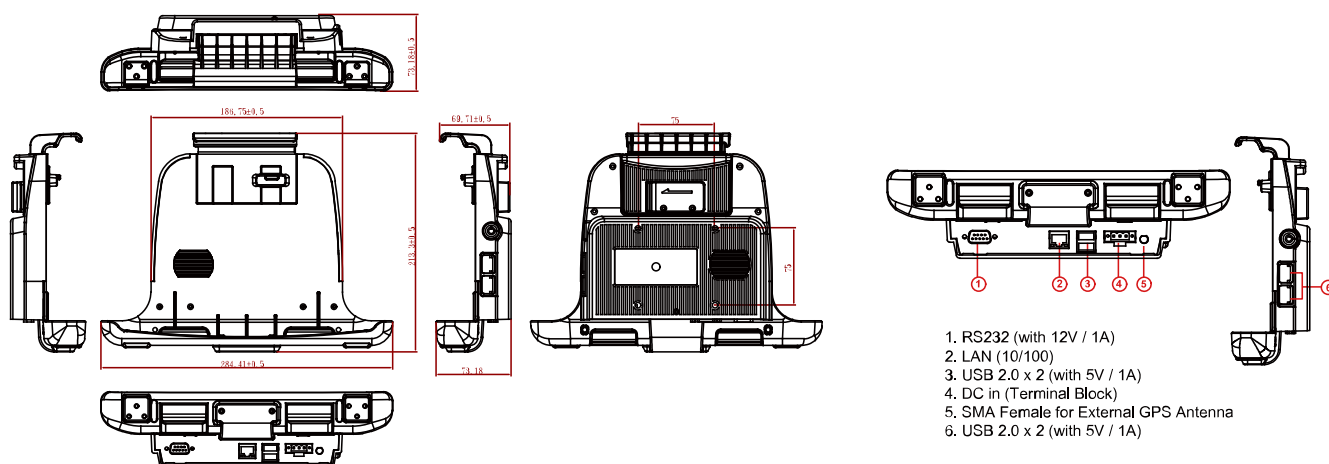
KEY FEATURES

- VESA Mounting support, USB 2.0 x 4 (Rear x2, Bottom x2)
- LAN (10/100) / RS232, GPS ANT SMA x 1
- 9-36V DC IN with 3-pin terminal block
- Easy insert and release with Key-Lock

SPECIFICATIONS

- **Dimension** 284.41 x 213.3 x 73.18 mm
- **Power Input** 9~36V DC In
- **Mounting** 75 x 75mm VESA Mount
- **IO Ports** Bottom: RS232 x1 (5V/1A), USB 2.0 x2, LAN x1, SMA Female x1 (for external GPS antenna), 3-Pin Terminal Block x1 (DC IN), Side: USB 2.0 x2
- **Vibration** MIL STD. 810G, 5 ~ 500Hz, 2.24G

DIMENSIONS UNIT:MM



NOTE

1. Specifications subject to change without notice.
2. For customized or optional input/output configurations, please contact the Winmate.
3. The drawing provided is a simplified representation, some components not marked.
4. For more information, refer to the user manual or contact technical support.