

# R15MG3S-PCC3-POE

## 15" S Series HMI Panel PC with ARM A78 + A55 Processor



### KEY FEATURES

- 15" 1024 x 768 Resolution with Projected Capacitive Multi-Touch (P-CAP)
- Support PoE function
- Optional 2MP Front Camera
- Optional HF RFID Reader
- Stylish design for room booking, access control, and room information applications
- Front IP65 Water and Dust Proof
- Fanless cooling system and ultralow power consumption

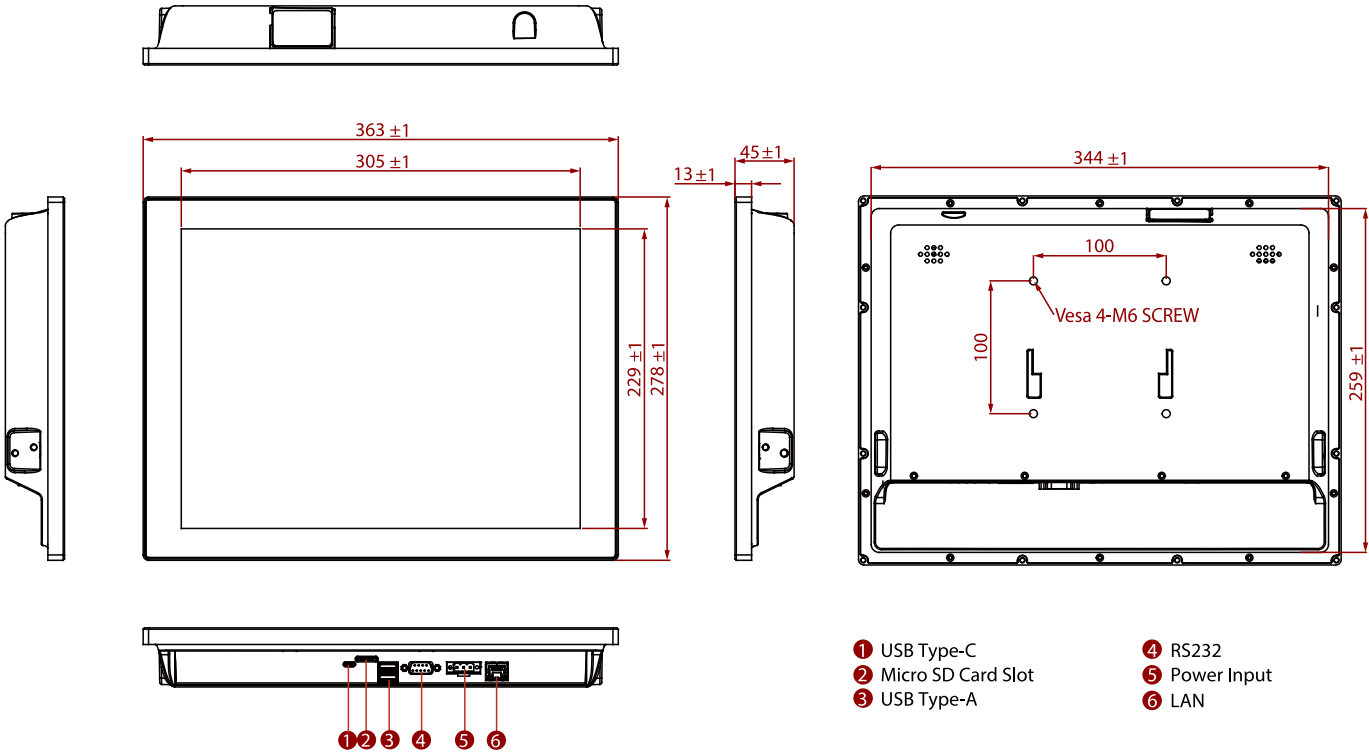


### SPECIFICATIONS

Display			
<b>Resolution</b>	1024x768	<b>Size</b>	15.0 inches
<b>Contrast Ratio</b>	2000:1	<b>Panel Brightness</b>	300.0 nits
<b>View Angles</b>	88,88,88,88	<b>Active Area</b>	304.1x228.1 mm
<b>Touch / Glass</b>	Projected Capacitive Multi Touch Screen		
System Specification			
<b>WLAN</b>	Support (Optional)	<b>BT</b>	Support (Optional)
<b>RFID</b>	HF RFID Reader 13.56 MHz (Optional)	<b>Processor</b>	ARM 2 x A78 2.0GHz + 4 x A55 2.0GHz
<b>Memory</b>	4GB LPDDR4	<b>Storage</b>	Onboard 32 GB
<b>Operating System</b>	Android 13 Linux Yocto 5.10.104 with QT 5.15 (Optional) Linux Ubuntu 22.04 (Optional)		
Mechanical			
<b>Dimension</b>	363.4 x 277.86 x 44.5 mm	<b>Weight</b>	3.6 kg
<b>Mounting</b>	Panel Mount VESA Mount	<b>Enclosure</b>	Metal Housing
<b>Cooling System</b>	Fanless Design	<b>Cut out</b>	346.5x261mm
Environment			
<b>Operating Humidity</b>	10% to 90% RH, Non-Condensing	<b>Operating Temperature</b>	0°C to 50°C
<b>Storage Temperature</b>	-20°C to 60°C	<b>Shock</b>	MIL-STD-810H Method 516.8 Procedure I
<b>Vibration</b>	MIL-STD-810H Method 514.8 Procedure I	<b>IP rating</b>	Front IP65
Certification			
<b>Certification</b>	CE, FCC		
IO Ports			
<b>USB Port</b>	2 x USB 2.0 Type A 1 x USB 2.0 Type C (OTG)	<b>Serial Port</b>	1 x RS232/422/485 (Default RS232)
<b>SD Card Slot</b>	1 x Micro SD card slot	<b>Video</b>	1 x Micro HDMI Output (Optional)
<b>Audio</b>	2 x Speaker	<b>LAN</b>	1 x LAN 10/100/1000 Mbps

Accessory			
Accessory	100~240V AC to DC Adapter Power Cord Terminal Block to 2.5Ø Female Adapter Cable Open Wire Cable with terminal block connector VESA screws		
Power			
Power Rating	12V DC with Terminal Block 9~36V (Optional)	Adapter	12V 50W
POE	PoE (PD): follows IEEE 802.3at (25 W)		
Camera			
Front Camera	2MP Camera (Optional)		

**DIMENSIONS** UNIT:MM



**NOTE**

- 1.This is a simplified drawing and some components are not marked in detail.
- 2.Please contact our sales representative if you need further product information.
- 3.All specifications are subject to change without prior notice.
- 4.The product shown in this datasheet is a standard model.For diagrams that contain customized or optional I/ O, please contact the Winmate Sales Team for more information.