

Vehicle Dock

Model Name: VD-M116

Part Number: 98DT00A00021



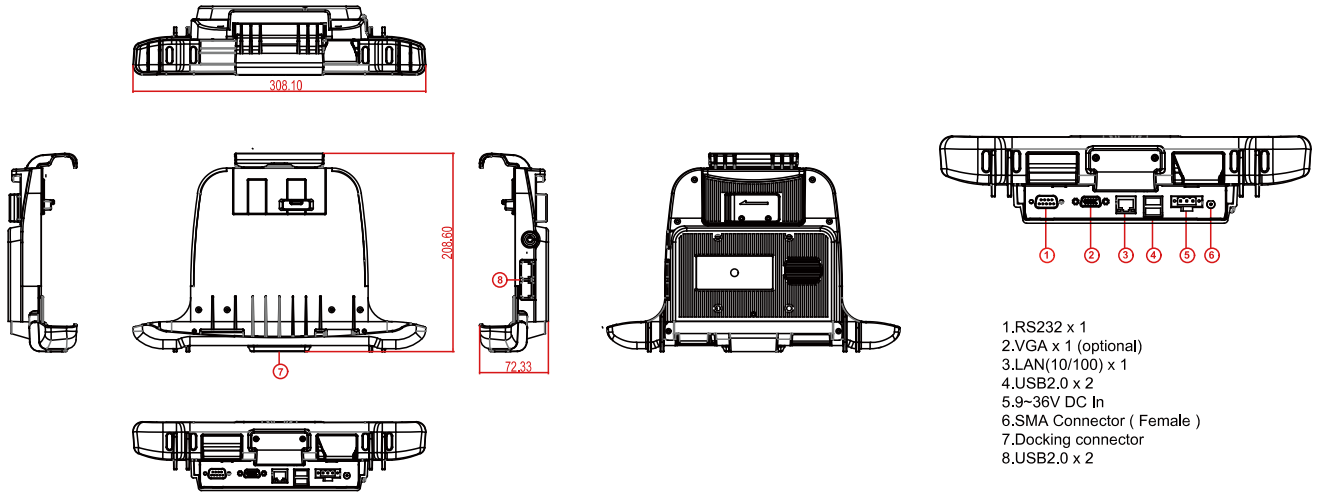
KEY FEATURES

- VESA Mounting support
- RS232 x 1
- VGA x 1 (optional)
- LAN(10/100) x 1
- USB 2.0 x 4
- GPS ANT SMA x 1
- 9~36V DC IN with 3-pin terminal block
- Easy insert and release with Key-Lock

SPECIFICATIONS

- **Dimension** 208.6 x 308.1 x 72.33
- **Power Input** 9~36V DC In
- **IO Ports** USB 2.0 x4 (Rear x2, Bottom x2), LAN (10/100) x1, RS232 x1 (5V/1A), VGA x1 (Optional), GPS ANT SMA x1, DC Jack x1

DIMENSIONS UNIT:MM



NOTE

1. Specifications subject to change without notice.
2. For customized or optional input/output configurations, please contact the Winmate.
3. The drawing provided is a simplified representation, some components not marked.
4. For more information, refer to the user manual or contact technical support.