

W22IAD7T-GCA3

21.5" Intel® Core™ i9 / i7/ i5 / i3 (Alder Lake S) G-WIN GC Series Front IP65 PCAP Panel

PC



KEY FEATURES

- 21.5" 1920 x 1080 Resolution with P-CAP touchscreen
- 12th Gen Intel® Core™ Alder Lake S i9 / i7/ i5 / i3 processor
- Front IP65 for protection against water and dust
- A true flat, easy-to-clean front surface with an edge-to-edge design
- Multiple I/Os, 4 x USB 3.2 Gen2x1, 2 x Serial Ports

INTRODUCTION

Winmate G-WIN GC Series Panel PC Series offers advanced performance and flexibility, with sizes ranging from 7" to 24" and support for various operating systems, including Windows and Android. Designed with a fanless cooling system and ultra-low power consumption, these panel PCs feature a front IP65-rated edge-to-edge flat design for water and dust resistance and easy cleaning. With versatile I/O options, including USB, HDMI, and RS232/422/485, these robust devices are ideal for industrial automation, kiosks, and control systems, ensuring reliability in harsh environments.

SPECIFICATIONS

Display

Resolution	1920x1080	Size	21.5 inches
Contrast Ratio	3000:1	Panel Brightness	250.0 nits
View Angles	89,89,89,89	Active Area	476.64x268.11 mm
Touch / Glass	Projected Capacitive Multi Touch Screen		

System Specification

WLAN	Support (Optional)	BT	Support (Optional)
Processor	Intel® Core™ i3-12100TE(up to 4.00GHz) Intel® Core™ i5-12500TE(up to 4.3GHz) (Optional) Intel® Core™ i7-12700TE(up to 4.6GHz) (Optional) Intel® Core™ i9-12900TE(up to 4.80GHz) (Optional) Intel® Core™ i3-14100T(up to 4.4GHz) (Optional) Intel® Core™ i5-14500T(up to 4.8GHz) (Optional) Intel® Core™ i7-14700T(up to 5.2GHz) (Optional) Intel® Core™ i9-14900T(up to 5.5GHz) (Optional)	Chipset	Intel® R680E
Memory	2 x SO-DIMM, DDR5 4800 MHz, 8GB 16GB (Optional) 32GB (Optional) 64GB (Optional)	Storage	1 x M.2 2280 M-Key NVMe SSD 256GB 512GB (Optional) 1TB (Optional) 2TB (Optional) 2 x SATA III for 2.5" SSD/HDD (Optional)
Ethernet controller	2 x Intel® Ethernet Controller	Security	TPM 2.0
Operating System	Windows 11 IoT Enterprise (64 bit) (Optional) Windows 11 Pro 64 bit (Optional) Linux Ubuntu 22.04(Do not support Wake on Touch) (Optional)		

Environment

Operating Humidity	10% to 90% RH, Non-Condensing	Operating Temperature	0°C to 50°C
---------------------------	-------------------------------	------------------------------	-------------

-20°C to 60°C
MIL-STD-810G Method 514.6 Procedure I

Shock
IP rating

MIL-STD-810G Method 516.6 Procedure I
Front IP65

USB Port	4 x USB 3.2 Gen2x1 (10Gbps, TypeA) (R680E/Q670E version) 4 x USB 3.2 Gen1x1 (5Gbps, TypeA) (H610E version)	Serial Port	1 x RS232/422/485 (Default RS232) 1 x RS232
Video	1 x DP1.4a DP++ , Max resolution up to 4096x2160@60Hz 1 x HDMI 2.0b , Max resolution up to 4096x2160@60Hz (Optional)	Audio	1 x Mic in 1 x Line out 2 x Speaker
Expansion Port	1 x M.2 2280 M-Key Slot (for NVME SSD) 1 x M.2 2230 E-Key Slot (for Wi-Fi module)	LAN	2 x 2.5 Giga LAN RJ45 Connector
Indicator	1 x LED Indicator for power 1 x LED Indicator for storage	Brightness Knob	1 x Brightness Adjustment Knob

Mechanical

Dimension	530 x 322 x 62 mm	Mounting	VESA mount Panel mount (Optional)
Enclosure	Metal Housing with Plastic Bezel	Cooling System	Fan Design

Accessory

Accessory	Quick Start Guide(Hardcopy) AC Adapter Power Cable
------------------	--

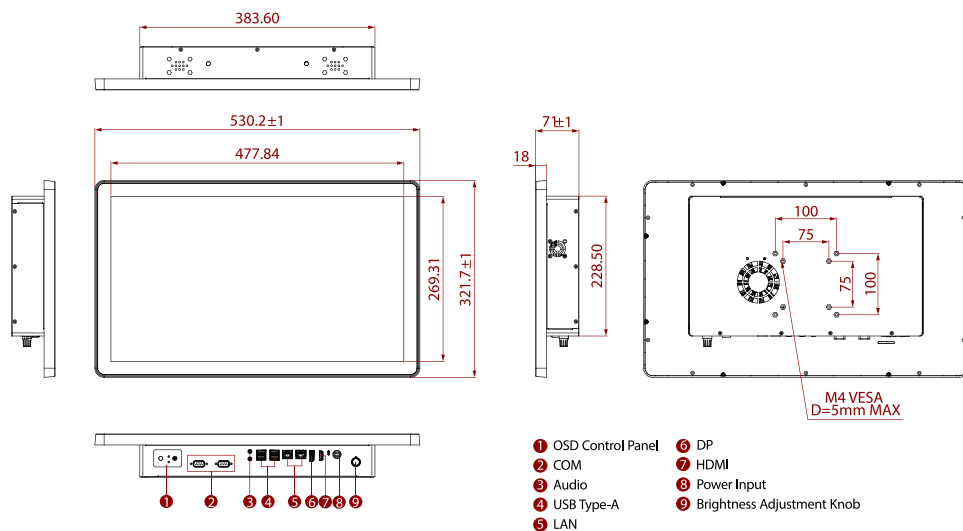
Control

Button	1 x Power Button 1 x Reset Button
---------------	--------------------------------------

Power

Power Rating	12V DC
---------------------	--------

DIMENSIONS UNIT:MM



NOTE

1. This is a simplified drawing and some components are not marked in detail.
2. Please contact our sales representative if you need further product information.
3. All specifications are subject to change without prior notice.
4. The product shown in this datasheet is a standard model. For diagrams that contain customized or optional I/O, please contact the Winmate Sales Team for more information.