

# M900EK

8" Windows Rugged Tablet with Intel® Celeron® N6211



## KEY FEATURES

- Intel Celeron N6211 Elkhart Lake Processor rugged tablet PC
- 8" 1280x 800 IPS LED panel with direct optical bonding
- Optional expansion port DB15 connector
- Sunlight readable with antiglare solution
- Projected capacitive (PCAP) multitouch
- USB 3.0 type A, USB 3.0 type C connectors
- IP65 waterproof and dustproof

## INTRODUCTION

Winmate M900 Rugged Tablet Series delivers compact, high-performance solutions for industrial and field applications. Featuring an 8" sunlight-readable IPS display with direct optical bonding and PCAP multitouch, these tablets ensure clear visibility and responsive interaction in any environment. Built with IP65-rated waterproof and dustproof protection, USB Type A and C connectors, and optional smart card and barcode readers, the M900 Series is designed for durability and versatility. Ideal for vehicle gateway connections, industrial automation, and fieldwork tasks.

## SPECIFICATIONS

### Display

<b>Type</b>	Projected Capacitive Multi Touch	<b>Bonding</b>	Optical Bonding for Sunlight Viewability
<b>Resolution</b>	1280x800	<b>Size</b>	8.0 inches
<b>Contrast Ratio</b>	1500:1	<b>Panel Brightness</b>	800.0 nits
<b>View Angles</b>	80,80,80,80		

### System Specification

<b>Processor</b>	Intel Celeron N6211 1.2 GHz (turbo boost up to 2.60 GHz) (Default) Intel Pentium N6415 1.2 GHz (turbo boost up to 3.00 GHz) (Optional)	<b>Memory</b>	4GB (Default) 8GB (Optional)
<b>Storage</b>	128GB SSD Additional storage available with micro SDXC card slot (Default) 256GB SSD (Optional) 512GB SSD (Optional)	<b>Security</b>	Trusted Platform Module (TPM) 2.0
<b>Operating System</b>	Windows 11 IoT Enterprise LTSC (64 bit) (Default) Windows 10 IoT Enterprise LTSC (64 bit) (Optional)	<b>WLAN</b>	Support
<b>BT</b>	Support	<b>WWAN</b>	4G LTE (Optional)
<b>GNSS</b>	GPS, GLONASS	<b>RFID</b>	Mutually Exclusive with Barcode Reader (Default) HF RFID Reader 13.56 MHz (Optional) LF RFID Reader 125 KHz (Optional)
<b>Sensors</b>	Light sensor/ G-sensor / Gyro	<b>Smart Card Reader</b>	Smart Card Reader Comply with ISO7816-1.2.3 T=1 and T=0 protocol (Optional)

### Camera

<b>Front Camera</b>	2MP Front Camera	<b>Rear Camera</b>	8MP Rear Camera with Autofocus and LED Light
---------------------	------------------	--------------------	--

## Mechanical

<b>Dimension</b>	225 x 148 x 20.5 mm ( 10 x 7.76 x 0.8 inches)	<b>Weight</b>	0.9 kg with battery
<b>Cooling System</b>	Fanless Design		

## IO Ports

<b>USB Port</b>	1 x USB 3.0 (Type A), 1 x USB 3.0 (Type C)	<b>SD Card Slot</b>	1 x Micro SDXC Slot
<b>SIM Card Slot</b>	1 x Micro SIM card slot	<b>Audio</b>	1 x Audio combo 3.5mm audio combo jack Dual Digital Mic With Noise Cancellation Dual Speaker
<b>Expansion Port</b>	1 x 15pin D-sub connector	<b>Indicator</b>	4x LED Indicator for Power, Battery, HDD, RF status
<b>Docking Connector</b>	1 x 19-pin docking connector		

## Environment

<b>Operating Humidity</b>	10% to 90% RH, non-condensing	<b>Operating Temperature</b>	-20°C to 60°C
<b>Storage Temperature</b>	-30°C to 70°C (-22°F to 158°F)	<b>Shock</b>	MIL-STD-810H Method 516.8 Procedure I
<b>Vibration</b>	MIL-STD-810H Method 514.8 Procedure I	<b>IP rating</b>	IP65
<b>Drop</b>	MIL-STD-810H Method 516.8, 5 ft		

## Certification

<b>Certification</b>	CE, FCC
----------------------	---------

## Security Function

<b>SOTI MobiControl</b>	SOTI MobiControl Compliance
-------------------------	-----------------------------

## Control

<b>Button</b>	1 x Power, 1 x menu, 3 x Programmable Function Keys
---------------	--

## Power

<b>Battery</b>	7.6V, typ. 4200 mAh Li Polymer Battery (2S2P)	<b>Battery Operating Time</b>	Standard. Battery: 6 hours
<b>Power Rating</b>	19V DC	<b>Adapter</b>	100-240V, 50-60Hz / 19V DC

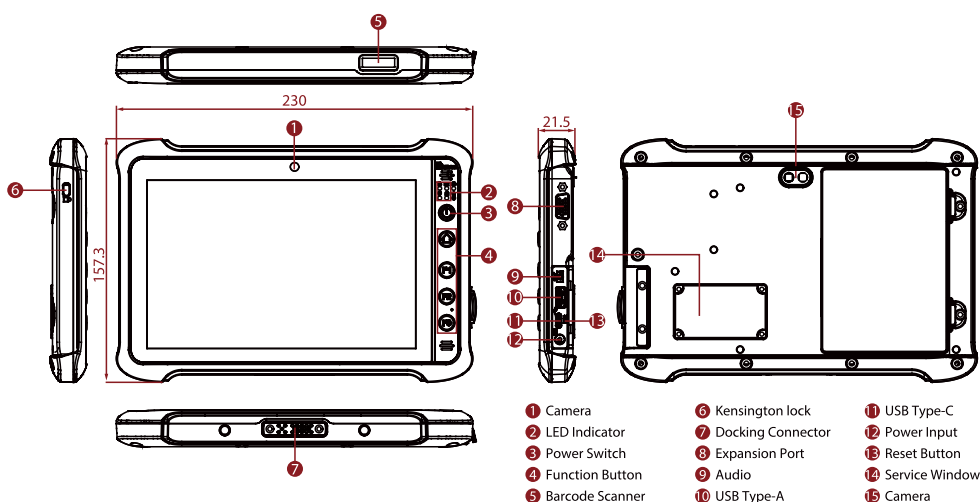
## Accessory

<b>Accessory</b>	Adapter and Power Cord Standard Battery Pack	<b>Optional Accessory</b>	Desk Dock (Optional) Vehicle Dock (Optional) USB-A Cable (Optional) Battery Charger (Optional) Vehicle Charger (Optional) Hand Strap (Optional) Vehicle Cradle (Optional) LAN Cable (Optional) Capacitive Stylus (Optional)
------------------	---	---------------------------	---

## Barcode Scanner

<b>Barcode Scanner</b>	1D/2D barcode reader (Optional)
------------------------	---------------------------------

## DIMENSIONS UNIT:MM



## NOTE

- 1.This is a simplified drawing and some components are not marked in detail.
- 2.Please contact our sales representative if you need further product information.
- 3.All specifications are subject to change without prior notice.
- 4.The product shown in this datasheet is a standard model.For diagrams that contain customized or optional I/O, please contact the Winmate Sales Team for more information.