

# R15IAN3S-VMC3-P(HB)

15" Intel® Processor N100 G-WIN Vehicle Mount Panel PC



## KEY FEATURES

- 15" Panel, 1024\*768 resolution, 300 nits (Optional for 1000 nits)
- Intel® Processor N100 6M Cache, up to 3.40 GHz
- P-cap multi touch screen
- Optional True Flat 5 Wire Resistive Touch
- Optional Anti-Reflective Protection Glass
- Aluminum Die-Casting Housing with Anti-Corrosion Treatments
- Build in ambient Light sensor
- Front IP65 (Except I/O parts)
- -10 to 55°C wide operating temperature
- Wide Range 9 to 36V DC Input with isolation. Optional for Ignition On/Off delay
- Anti-Shock & Vibration compliant with MIL-STD-810F/G

## INTRODUCTION

The R15IAN3S-VMC3-P(HB) is a high-performance 15-inch Vehicle Mount Panel PC designed to elevate productivity in warehouse logistics and industrial environments. Powered by the efficient Intel® Processor N100 (Alder Lake-N). Engineered for harsh conditions, the device features a rugged aluminum die-casting housing with anti-corrosion treatment and complies with MIL-STD-810F/G standards for shock and vibration resistance. With standard P-Cap multi-touch and optical bonding technology, the R15IAN3S-VMC3-P(HB) ensures superior screen clarity and durability, making it the ideal solution for forklift terminals and heavy-duty industrial applications.

## SPECIFICATIONS

### System Specification

<b>WLAN</b>	Support (Optional)	<b>BT</b>	Support (Optional)
<b>Processor</b>	Intel® Processor N150 6M Cache, up to 3.60 GHz	<b>Memory</b>	8GBDefault (Default) 16GB (Optional)
<b>Storage</b>	128GB SSD(Default) (Default) 256GB SSD (Optional) 512GB SSD (Optional) 1TB (Optional) 2TB (Optional) 4TB (Optional)	<b>Ethernet controller</b>	2 x Intel® 2.5 Gigabit Ethernet Controller
<b>Security</b>	TPM 2.0	<b>Operating System</b>	Windows 11 IoT Enterprise (64 bit) (Optional) Windows 11 Pro 64 bit (Optional) Linux Ubuntu 24.04(Do not support Wake on Touch) (Optional)

### Display

<b>Resolution</b>	1024x768	<b>Size</b>	15.0 inches
<b>Contrast Ratio</b>	2000:1	<b>Panel Brightness</b>	1000.0 nits
<b>View Angles</b>	88,88,88,88	<b>Active Area</b>	304.1x228.1 mm

Touch / Glass      Projected Capacitive Multi Touch Screen

### Mechanical

<b>Dimension</b>	379.4 x 278.4 x 58 mm	<b>Weight</b>	3.8 kg
<b>Mounting</b>	VESA mount	<b>Enclosure</b>	Aluminum Housing
<b>Cooling System</b>	Fanless Design		

### Environment

<b>Operating Humidity</b>	10% to 90% RH, Non-Condensing	<b>Operating Temperature</b>	-10°C to 55°C
<b>Storage Temperature</b>	-30°C to 70°C	<b>Shock</b>	MIL-STD-810G Method 516.6 Procedure I (Optional)
<b>Vibration</b>	MIL-STD-810G Method 514.6 Procedure I	<b>IP rating</b>	Front IP65

### Certification

<b>Certification</b>	CE, FCC
----------------------	---------

### IO Ports

<b>Power Input</b>	1 x 9~36V DC, 3-Pin Terminal Block	<b>USB Port</b>	2 x USB3.2 Gen1x1 (Type-A) 1 x USB 3.2 Gen 2x1 Type C connector, support DP Alt. mode
<b>Serial Port</b>	1 x RS232/422/485 (Default RS232) 1 x RS232	<b>Video</b>	1 x HDMI 2.0b (Optional)
<b>Expansion Port</b>	1 x M.2 2230 E-Key Slot (for Wi-Fi module)	<b>LAN</b>	2 x 2.5 Giga LAN RJ45 Connector
<b>Indicator</b>	1 x LED Indicator for power 1 x LED Indicator for storage		

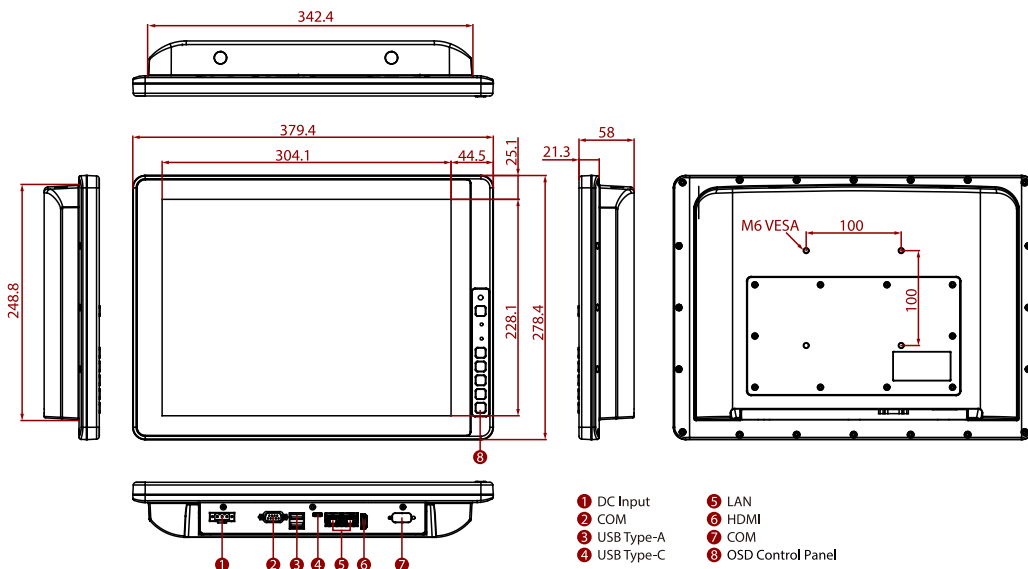
### Control

<b>Button</b>	1 x Power Button 1 x Reset Button 1 x Lock / Unlock front key function button 1 x Auto Dimming / Manually button 1 x Day / Night Mode button 1 x Brightness Up button 1 x Brightness Down button 1 x LED indicator brightness adjustment button 1 x Light sensor
---------------	--

### Accessory

<b>Accessory</b>	Open Wire Cable with terminal block connector VESA screws	<b>Optional Accessory</b>	Yoke mount stand (Optional) 100~240V AC to DC 84W Adapter with power cord (Optional)
------------------	--	---------------------------	---

## DIMENSIONS      UNIT:MM



## NOTE

1. This is a simplified drawing, and some components are not marked in detail.
2. Please contact our sales representative if you need further product information.
3. All specifications are subject to change without prior notice.
4. The product shown in this datasheet is a standard model. For diagrams that contain customized or optional I/O, please contact the Winmate Sales Team for more information.